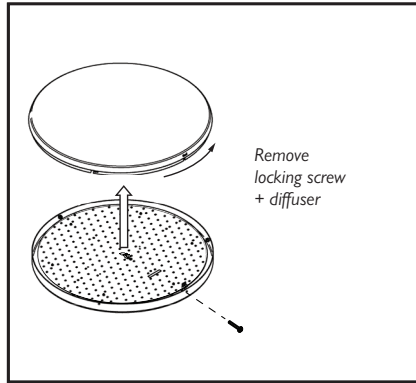
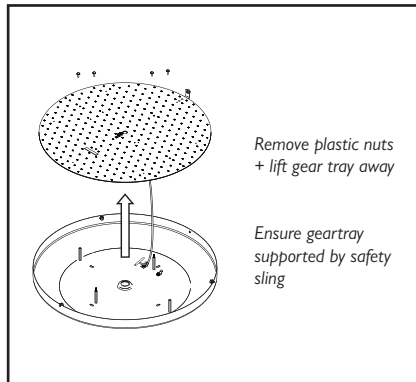


Emergency Battery Replacement

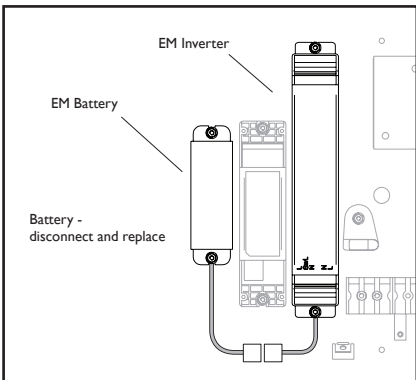
1



2



3



Controller Settings

1. If applicable, luminaire delivered with sensor set to factory settings.
2. Use PIR handset to adjust settings to suit application requirements.

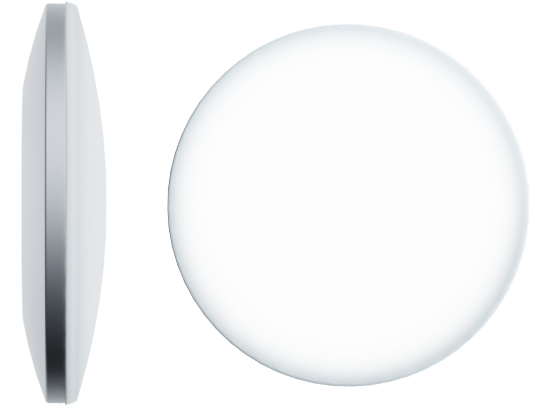
Scene Options	Detection Range	Hold Time	Stand-by period	Stand-by dimming level
SC1	100%	1min	10min	10%
SC2	100%	5min	10min	10%
SC3	100%	10min	30min	10%
SC4	100%	10min	+ ∞	10%

IMPORTANT INFORMATION

Lumera® Wall/Ceiling Light

370 WL1336/1337 450 WL1338/1339

545 WL1340/1341



Disconnect electricity supply before installation

To be installed by qualified personnel only, in accordance with current building and wiring regulations.

When installing, we recommend wearing disposable gloves to avoid fingerprinting to the paint work of the luminaire.

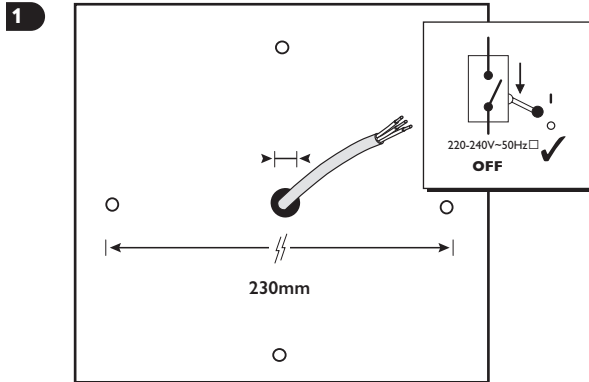
Read leaflet fully before installation.

Hacel[®]
Fluent in Lighting

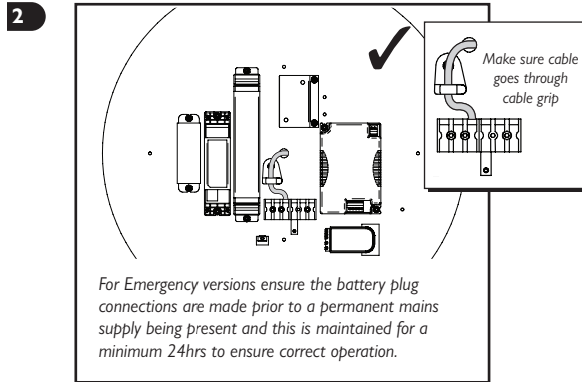
THE SILVERLINK, WALLSEND, NEWCASTLE UPON TYNE,
TYNE & WEAR, NE28 9ND

Technical: (0191) 280 9914
Email: technical@hacel.co.uk
Web: www.hacel.co.uk

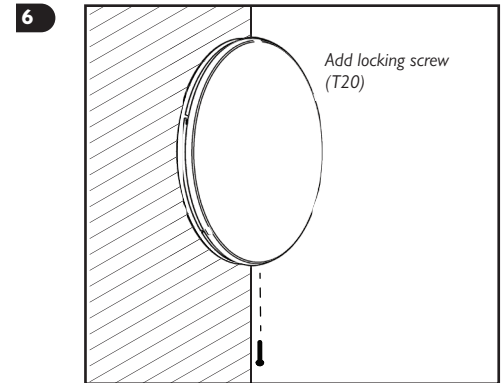
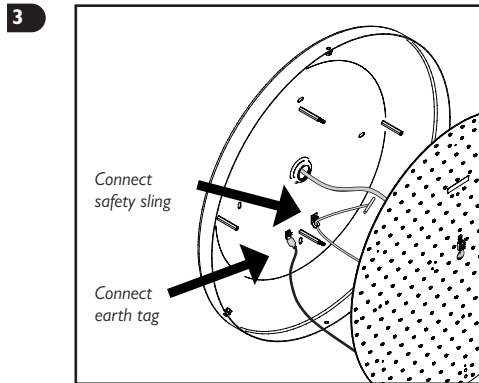
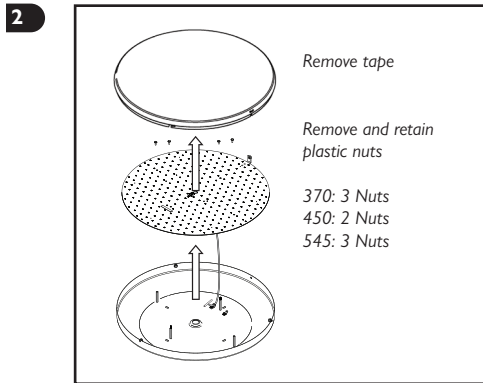
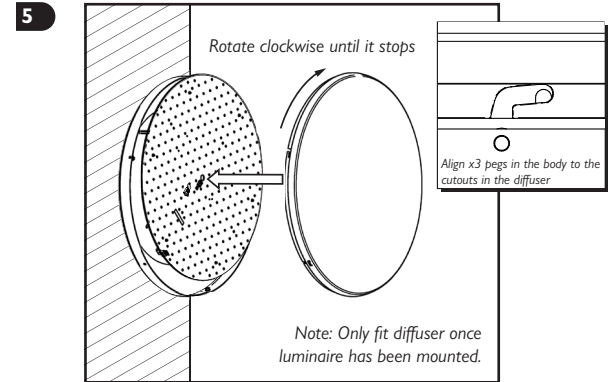
Preparation



Installation Cont.



Installation Cont.



Installation

