

## Infinitas® Nano Direct

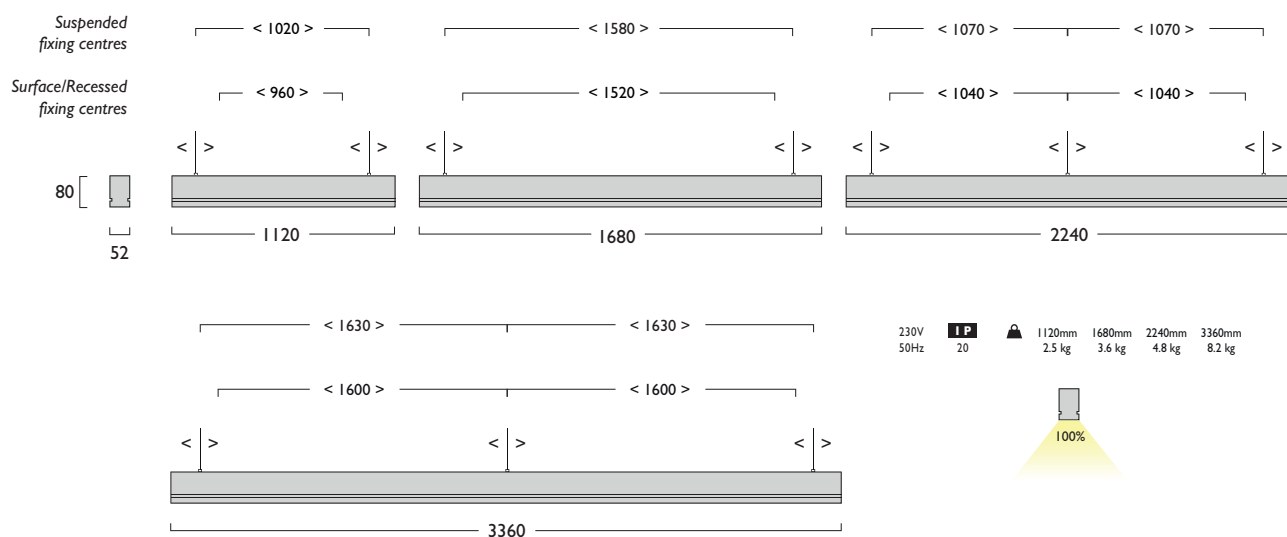
Infinitas® Nano by Hacer is a refined LED system. Designed and manufactured in the UK, Infinitas® Nano is sophisticated and minimal in its design. Precision extruded luminaires are available in Suspended, Surface or Recessed formats.

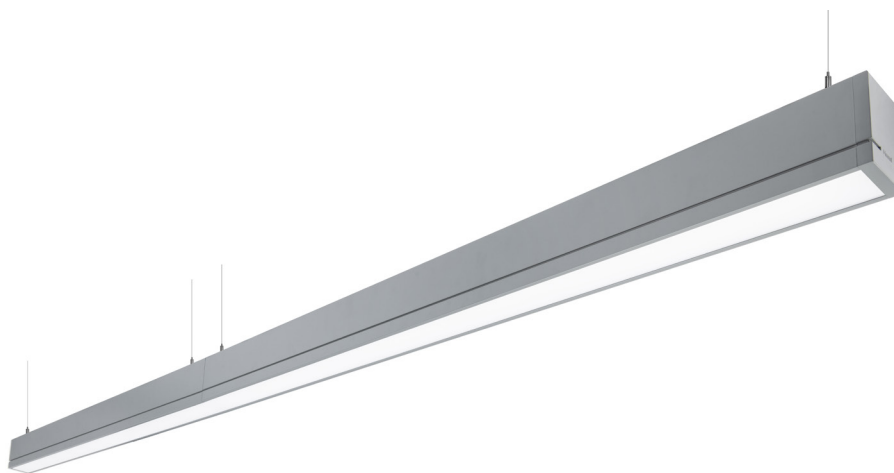
As part of the Infinitas® range, creating continuous lines of uninterrupted uniform lighting, the flexibility of Infinitas® Nano is further enhanced by Direct and Indirect lighting variations and complete illuminated 90° corners are available, offering diversity in architectural lighting design.

Stylish Solo Modules are also available to compliment the continuous system. Solo Modules are supplied complete with End Caps.

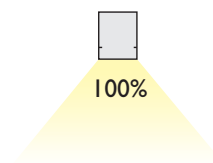
- Available in High, Medium or Low Output Modules
- Low Output Modules with Microprism Refractor and Film achieve UGR <19
- Clip in gear trays for ease of installation - 70% quicker than screw in trays
- Plug and socket connections for quick assembly on link systems
- Offering a choice of lumen outputs, delivering up to 12376 lumens
- Efficacies up to 125 lm/W
- Life expectancy of 72,000 hours (L80 B10)
- Corporate colours made to special order
- Suspended luminaires are supplied complete with 2m Wire Suspensions (variable positioning)
- All Modules are available with MicroPrism Refractors or Opal Diffusers, see option codes
- Colour Stability within 3 MacAdams
- Wireless Lighting Control available, see Connected video for full overview

## Suspended/Surface/Recessed Modules Fixing Centres (mm)





High Output



	CRI 80	CRI 80			
		22W	33W	44W	66W
<b>3 Warm White LED (3000K)</b>					
Lumen Output	3883 lm	5825 lm	7766 lm	11650 lm	
LOR	0.67	0.67	0.67	0.67	
CRI	80	80	80	80	
Total Power	24.9W	35.7W	49.8W	71.4W	
Power Factor	0.95	0.99	0.95	0.99	
Running Current	0.10A	0.15A	0.21A	0.31A	
Inrush Current (Std)	21.0A (126us)	32.0A (251us)	42.0A (126us)	64.0A (251us)	
Inrush Current (Dim)	13.6A (304us)	40.0A (178us)	27.2A (304us)	80.0A (178us)	
Efficacy	104 lm/W	109 lm/W	104 lm/W	109 lm/W	
Emergency Output (BLF)	358 (9%)	358 (6%)	358 (4%)	358 (3%)	
<b>4 Neutral White LED (4000K)</b>					
Lumen Output	4126 lm	6188 lm	8252 lm	12376 lm	
LOR	0.67	0.67	0.67	0.67	
CRI	80	80	80	80	
Total Power	24.9W	35.7W	49.8W	71.4W	
Power Factor	0.95	0.99	0.95	0.99	
Running Current	0.10A	0.15A	0.21A	0.31A	
Inrush Current (Std)	21.0A (126us)	32.0A (251us)	42.0A (126us)	64.0A (251us)	
Inrush Current (Dim)	13.6A (304us)	40.0A (178us)	27.2A (304us)	80.0A (178us)	
Efficacy	111 lm/W	116 lm/W	111 lm/W	116 lm/W	
Emergency Output (BLF)	381 (9%)	381 (6%)	381 (4%)	381 (3%)	

## Infinitas® Nano Direct

High Output



LED	LED	LED	LED	LED	LED	LED	LED	LED	LED	Opal	Microprism	
22W	LED	1120mm	---	1301	---	LED	---	22	---	+	663	668
33W	LED	1680mm	---	1304	---	LED	---	33	---	+	664	669
44W	LED	2240mm	---	1307	---	LED	---	44	---	+	665	670
66W	LED	3360mm	---	1310	---	LED	---	66	---	+	666	671

To ensure illumination uniformity **High, Medium or Low Output Modules should Not be mixed.** Modules should **always** be matched within their output group.

### Options

- 303** 2x 5m Suspensions (wires only) (1120mm/1680mm Modules)
- 344** 3x 5m Suspensions (wires only) (2240mm/3360mm Modules)

### Opal Option

- 700** 1120mm Opal Diffuser
- 701** 1680mm Opal Diffuser
- 702** 2240mm Opal Diffuser
- 703** 3360mm Opal Diffuser

### Microprism Option

- 705** 1120mm Microprism Refractor and Film
- 706** 1680mm Microprism Refractor and Film
- 707** 2240mm Microprism Refractor and Film
- 708** 3360mm Microprism Refractor and Film

Only Low Output Modules with Microprism Refractor and Film achieve UGR<19.

- IU** Link Suspended   **IW** Link Surface   **IY** Link Recessed Bezel
- IJ** Solo Suspended   **IL** Solo Surface   **IQ** Solo Recessed Bezel

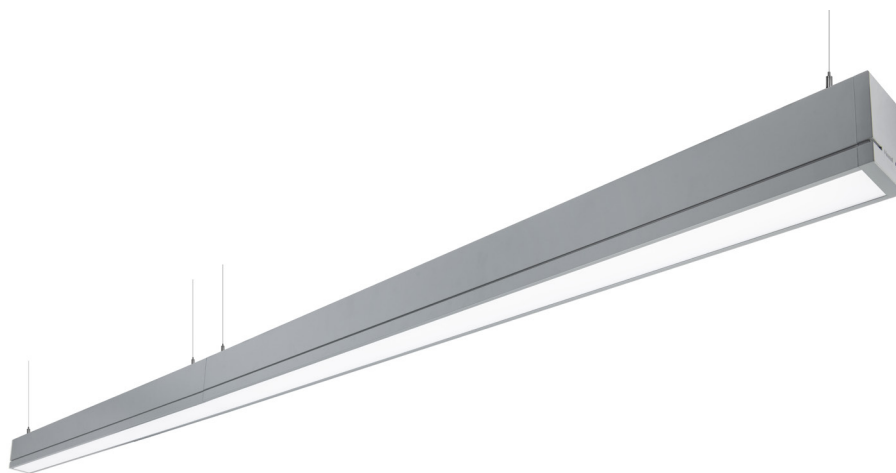
- A** Integral Driver/Remote
- E** Emergency
- J** Switch Dim
- K** Switch Dim + Emergency
- S** DALI Dim
- T** DALI Dim + Emergency
- C** DALI Dim + DALI Emergency
- L** DALI Bluetooth
- M** DALI Bluetooth + Emergency

- 3** Warm (3000K)   **4** Neutral (4000K)

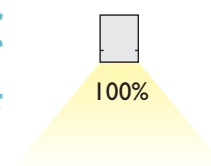
- 1** White (RAL 9010)   **2** Urban Graphite (RAL 7046)   **3** Black (RAL 9005)

Tel: (0191) 280 9911   Email: [technical@hacel.co.uk](mailto:technical@hacel.co.uk)   Web: [www.hacel.co.uk](http://www.hacel.co.uk)

06/2024 - V5



Medium Output



	CRI 80	Medium Output			
		15W	23W	30W	46W
<b>3 Warm White LED (3000K)</b>					
Lumen Output	2777 lm	4166 lm	5554 lm	8332 lm	
LOR	0.67	0.67	0.67	0.67	
CRI	80	80	80	80	
Total Power	17.1W	24.5W	34.2W	49.0W	
Power Factor	0.95	0.99	0.95	0.99	
Running Current	0.07A	0.11A	0.14A	0.21A	
Inrush Current (Std)	21.0A (126us)	32.0A (251us)	42.0A (126us)	64.0A (251us)	
Inrush Current (Dim)	13.6A (304us)	13.6A (304us)	27.2A (302us)	27.2A (304us)	
Efficacy	108 lm/W	113 lm/W	108 lm/W	113 lm/W	
Emergency Output (BLF)	358 (12%)	358 (8%)	358 (6%)	358 (4%)	
<b>4 Neutral White LED (4000K)</b>					
Lumen Output	2951 lm	4426 lm	5902 lm	8852 lm	
LOR	0.67	0.67	0.67	0.67	
CRI	80	80	80	80	
Total Power	17.1W	24.5W	34.2W	49.0W	
Power Factor	0.95	0.99	0.95	0.99	
Running Current	0.07A	0.11A	0.14A	0.21A	
Inrush Current (Std)	21.0A (126us)	32.0A (251us)	42.0A (126us)	64.0A (251us)	
Inrush Current (Dim)	13.6A (304us)	13.6A (304us)	27.2A (302us)	27.2A (304us)	
Efficacy	115 lm/W	121 lm/W	115 lm/W	121 lm/W	
Emergency Output (BLF)	381 (12%)	381 (8%)	381 (6%)	381 (4%)	

## Infinitas® Nano Direct

Medium Output

LED	15W	23W	30W	46W	Opal	Microprism
1120mm	1301	1304	1307	1310	663	668
1680mm	1304	1307	1310	1313	664	669
2240mm	1307	1310	1313	1316	665	670
3360mm	1310	1313	1316	1319	666	671

To ensure illumination uniformity **High, Medium or Low Output Modules should Not be mixed.** Modules should **always** be matched within their output group.

### Options

- 303 2x 5m Suspensions (wires only) (1120mm/1680mm Modules)
- 344 3x 5m Suspensions (wires only) (2240mm/3360mm Modules)

### Opal Option

- 700 1120mm Opal Diffuser
- 701 1680mm Opal Diffuser
- 702 2240mm Opal Diffuser
- 703 3360mm Opal Diffuser

### Microprism Option

- 705 1120mm Microprism Refractor and Film
- 706 1680mm Microprism Refractor and Film
- 707 2240mm Microprism Refractor and Film
- 708 3360mm Microprism Refractor and Film

Only Low Output Modules with Microprism Refractor and Film achieve UGR<19.

- IU Link Suspended IW Link Surface IY Link Recessed Bezel
- IJ Solo Suspended IL Solo Surface IQ Solo Recessed Bezel

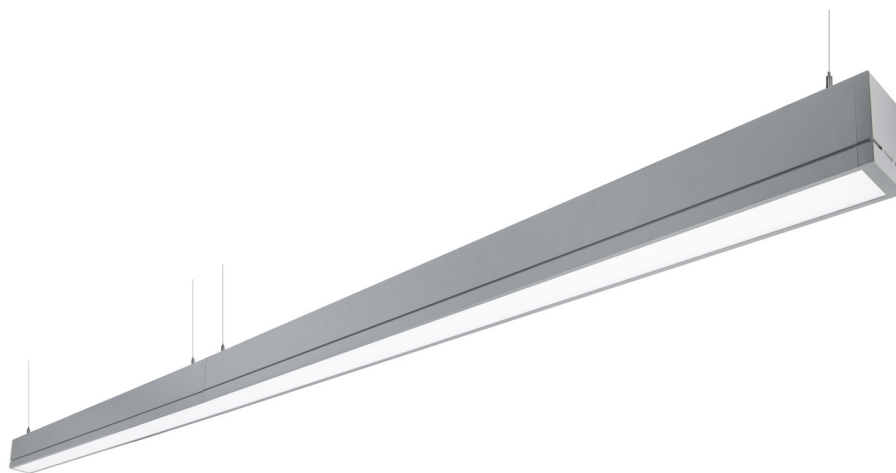
- A Integral Driver/Remote
- E Emergency
- J Switch Dim
- K Switch Dim + Emergency
- S DALI Dim
- T DALI Dim + Emergency
- C DALI Dim + DALI Emergency
- L DALI Bluetooth
- M DALI Bluetooth + Emergency

- 3 Warm (3000K) 4 Neutral (4000K)

- I White (RAL 9010) 2 Urban Graphite (RAL 7046) 3 Black (RAL 9005)

Tel: (0191) 280 9911 Email: technical@hacel.co.uk Web: www.hacel.co.uk

06/2024 - V5

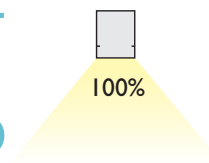


3	Warm White LED (3000K)	CRI 80			
		9W	13W	18W	26W
	Lumen Output	1629 lm	2444 lm	3258 lm	4888 lm
	LOR	0.67	0.67	0.67	0.67
	CRI	80	80	80	80
	Total Power	9.6W	14.4W	19.2W	27.8W
	Power Factor	0.95	0.95	0.95	0.95
	Running Current	0.04A	0.06A	0.08A	0.11A
	Inrush Current (Std)	21.0A (126us)	21.0A (126us)	42.0A (126us)	42.0A (126us)
	Inrush Current (Dim)	13.6A (304us)	13.6A (304us)	27.2A (304us)	27.2A (304us)
	Efficacy	113 lm/W	113 lm/W	113 lm/W	117 lm/W
	Emergency Output (BLF)	367 (22%)	367 (15%)	367 (11%)	367 (7%)

4	Neutral White LED (4000K)	CRI 80			
		9W	13W	18W	26W
	Lumen Output	1731 lm	2596 lm	3462 lm	5192 lm
	LOR	0.67	0.67	0.67	0.67
	CRI	80	80	80	80
	Total Power	9.6W	14.4W	19.2W	27.8W
	Power Factor	0.95	0.95	0.95	0.95
	Running Current	0.04A	0.06A	0.08A	0.11A
	Inrush Current (Std)	21.0A (126us)	21.0A (126us)	42.0A (126us)	42.0A (126us)
	Inrush Current (Dim)	13.6A (304us)	13.6A (304us)	27.2A (304us)	27.2A (304us)
	Efficacy	120 lm/W	120 lm/W	120 lm/W	125 lm/W
	Emergency Output (BLF)	390 (22%)	390 (15%)	390 (11%)	390 (7%)

Low Output



## Infinitas® Nano Direct

Low Output



LED									Opal	Microprism
9W	LED	1120mm	1301	LED	09	+			663	668
13W	LED	1680mm	1304	LED	13	+			664	669
18W	LED	2240mm	1307	LED	18	+			665	670
26W	LED	3360mm	1310	LED	26	+			666	671

To ensure illumination uniformity **High, Medium or Low** Output Modules should **Not** be mixed. Modules should **always** be matched within their output group.

### Options

- 303 2x 5m Suspensions (wires only) (1120mm/1680mm Modules)
- 344 3x 5m Suspensions (wires only) (2240mm/3360mm Modules)

### Opal Option

- 700 1120mm Opal Diffuser
- 701 1680mm Opal Diffuser
- 702 2240mm Opal Diffuser
- 703 3360mm Opal Diffuser

### Microprism Option

- 705 1120mm Microprism Refractor and Film
- 706 1680mm Microprism Refractor and Film
- 707 2240mm Microprism Refractor and Film
- 708 3360mm Microprism Refractor and Film

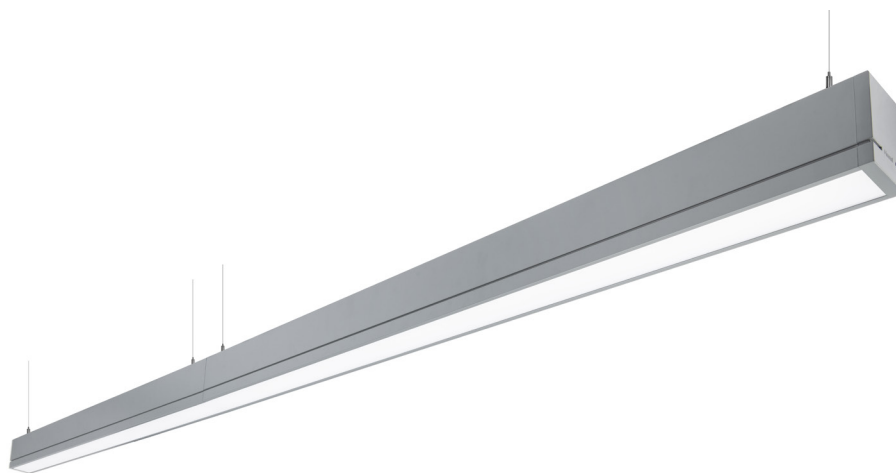
Only Low Output Modules with Microprism Refractor and Film achieve UGR<19.

- IU Link Suspended IW Link Surface IY Link Recessed Bezel
- IJ Solo Suspended IL Solo Surface IQ Solo Recessed Bezel

- A Integral Driver/Remote
- E Emergency
- J Switch Dim
- K Switch Dim + Emergency
- S DALI Dim
- T DALI Dim + Emergency
- C DALI Dim + DALI Emergency
- L DALI Bluetooth
- M DALI Bluetooth + Emergency

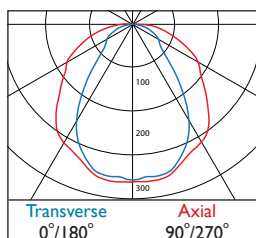
- 3 Warm (3000K) 4 Neutral (4000K)

- 1 White (RAL 9010) 2 Urban Graphite (RAL 7046) 3 Black (RAL 9005)

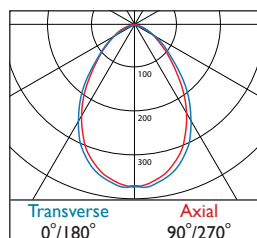


## Infinitas® Nano Direct

### Photometrics



LOR: 0.67  
Opal



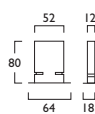
LOR: 0.63  
Microprism

## Infinitas® Nano End Caps Direct

2x End Caps	Surface/Suspended	IN1331	X	CAP000	-
2x End Caps	Recessed Bezel	IN1332	X	CAP000	-



Surface/Suspended



Recessed Bezel