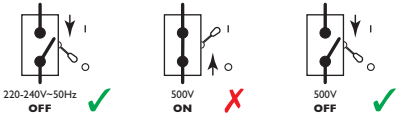


Infinitas Nano System - Installation Instructions



IMPORTANT

Disconnect before High Voltage Insulation testing

IMPORTANT INFORMATION

- Disconnect electricity supply before installation / To be installed by qualified personnel only and in accordance with current building and wiring regulations.
- For Emergency versions ensure the battery plug connections are made prior to a permanent mains supply being present and this is maintained for a minimum 24hrs to ensure correct operation.
- If power is applied to driver before LED plug connection then the driver may shut down due to no load. A mains power reset will rectify this.
- **Due to the weight of these luminaires, ensure suitable fixings are used when installing!**
- The Infinitas Wiring Harness is rated at 16A, therefore several mains/dimming supplies may be required for larger systems. Mains/dimming supply cable not supplied.
- Before installing please familiarise yourself with the orientation of the Modules Male/Female wiring connections to ensure correct continuity is achieved
- Infinitas Nano Corners can be either left or right handed. Plug and Sockets may be required to be repositioned at respective ends of wiring harness to maintain correct Male/Female polarities. (see 9. Wiring - Corner Plug and Socket Connection)
- When installing, Hacer recommends wearing disposable gloves to avoid fingerprinting to the paint work of the luminaire
- This Document and the Tool Kit must be left on site with the end user

Maintenance

- Disconnect electricity supply before carrying out maintenance, including cleaning Diffusers.
- Maintenance must be carried out by two people.

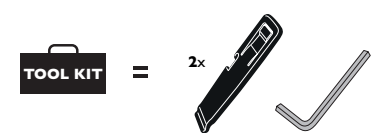


Installation
(2 People)

Link Modules



Solo Modules



Wiring Information

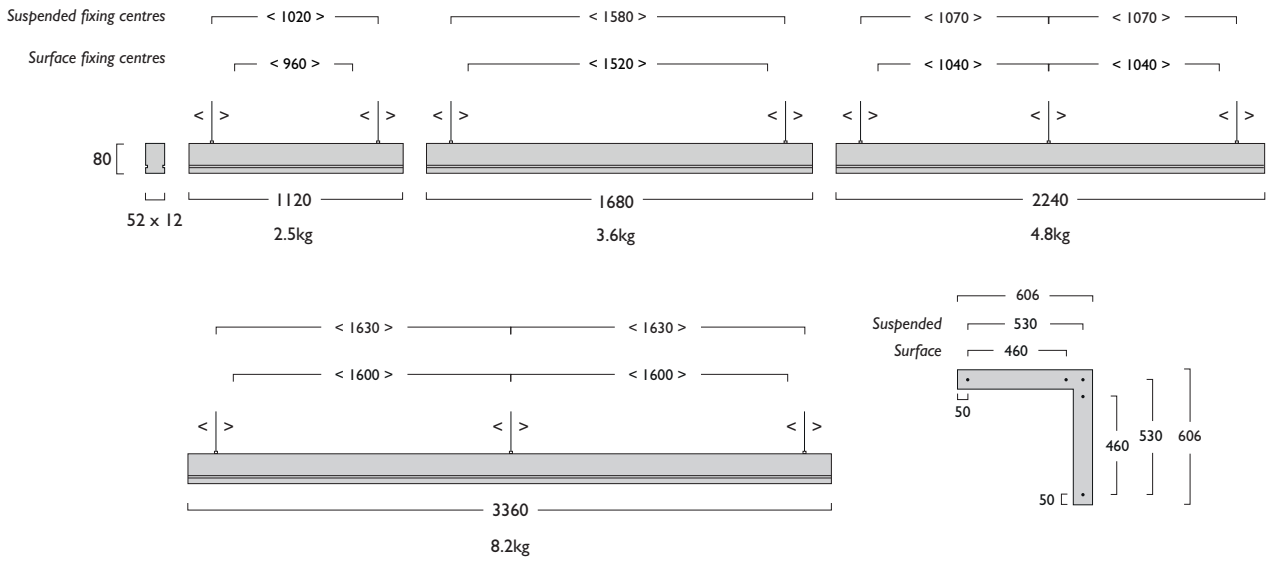
Black	L2
Brown	L1
Green/Yellow	PE
Blue	N
Orange	L3
Red	
White	

Non Dim/Emergency	DALI Dim/Emergency	Switch Dim/Emergency	PIR/PIR DALI/Emergency
Unswitched Live (Emergency)	Unswitched Live (Emergency)	Unswitched Live (Emergency)	Unswitched Live (Emergency)
Switched Live	Unswitched Live	Unswitched Live	Unswitched Live for DALI PIR (Dimmable)
Earth	Earth	Earth	Earth
Neutral	Neutral	Neutral	Neutral
Not used	Not used	Switched Live (DIM)	Unswitched Live for PIR (Switching only)
Not used	DALI 1	Not used	Not used
Not used	DALI 2	Not used	Not used

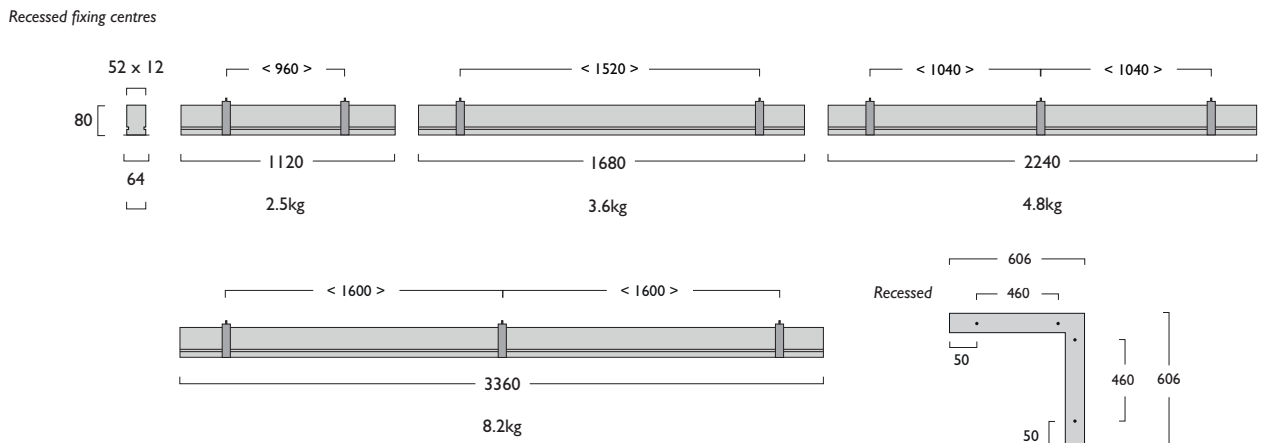
Hacer[®]
Fluent in Lighting

Infinitas Nano System - Measurements and Fixing Centres

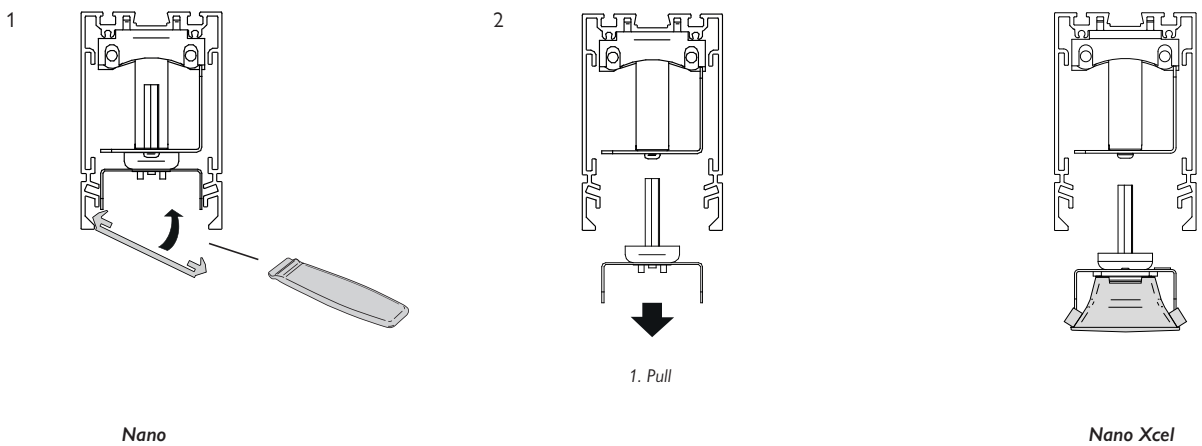
Suspended/Surface



Recessed

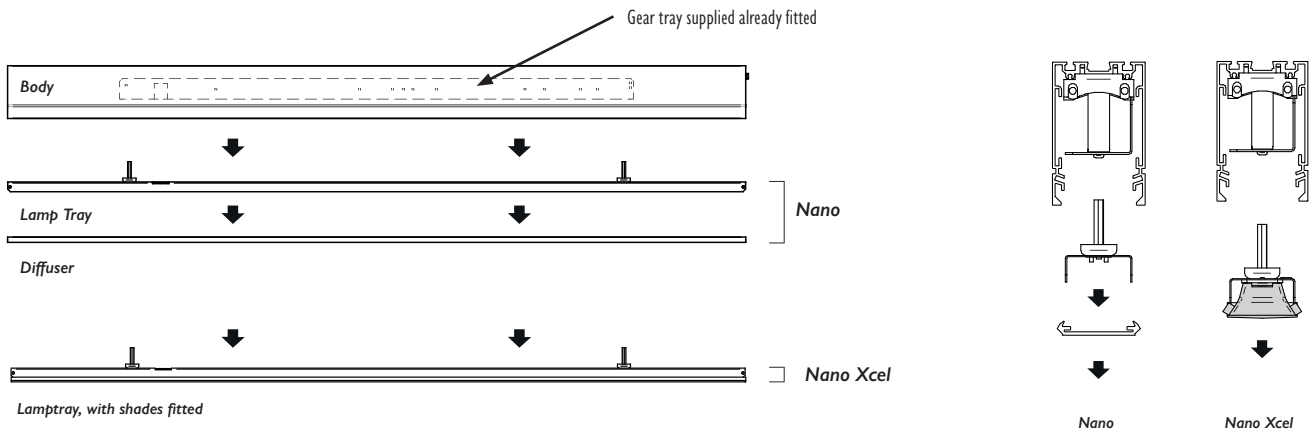


Pre-Installation - Remove Lamp Trays



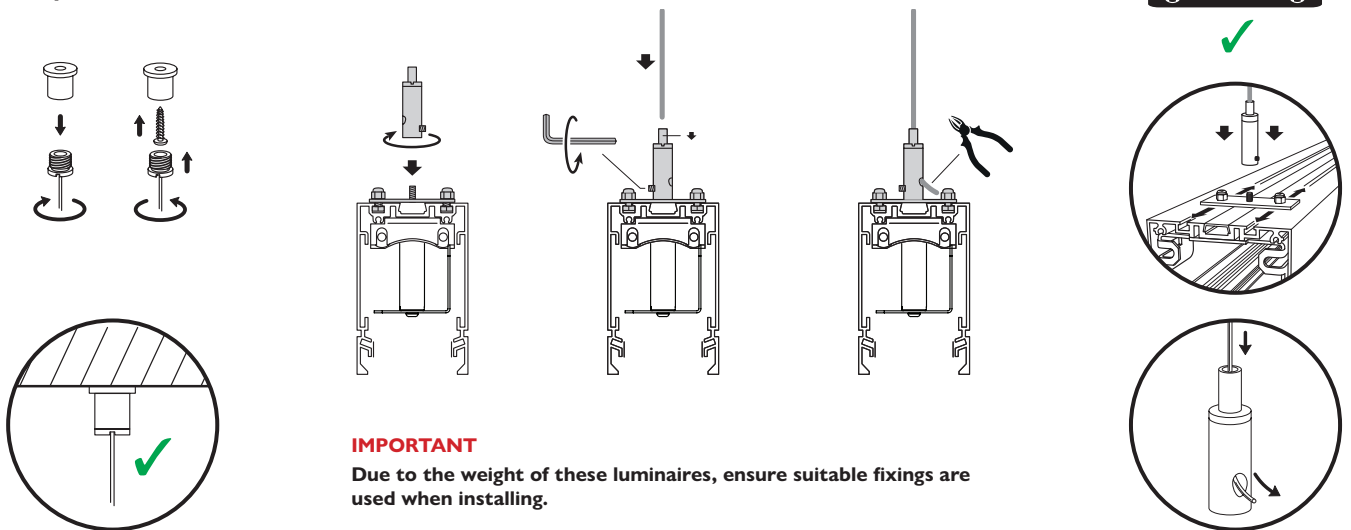
Infinitas Nano Linear System - Module Components

Luminaire Module

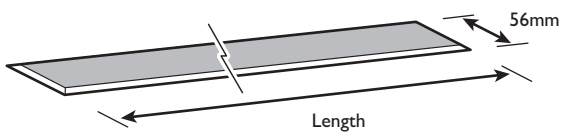


Infinitas Nano Linear System - Installation Instructions

1. Suspension Clutch



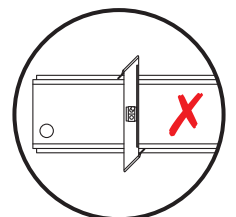
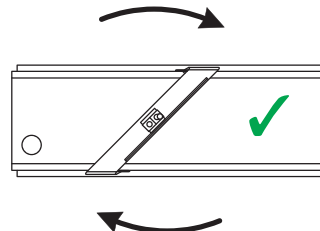
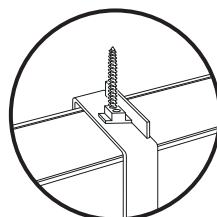
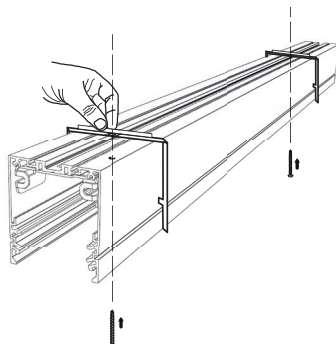
2. Recessed



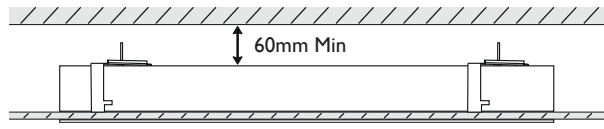
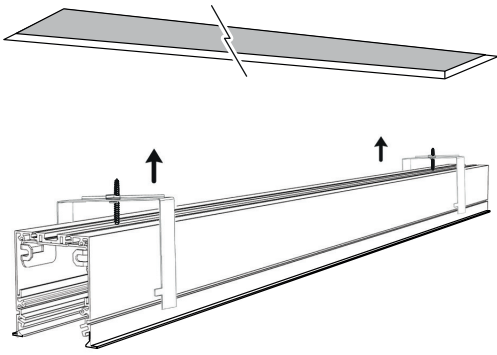
Maximum clamping thickness 35mm

Cut out size:

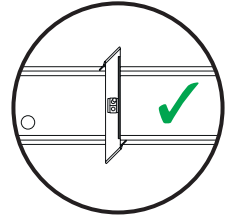
Width 56mm x Total Length of all Modules + 24mm (for End Caps if applicable) + 6mm (clearance).
For Emergency Modules the Indicator must be fitted into the Remote Holder, which requires a 20mm diameter cut out adjacent to the Emergency Module.



2. Recessed Cont.



Do not over tighten Clamp Screws



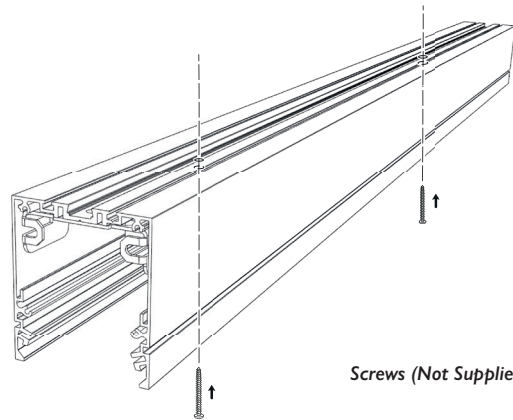
Maximum clamping thickness 35mm

Tip: Adjust to slightly higher than the thickness of the mounting surface

3. Surface

IMPORTANT

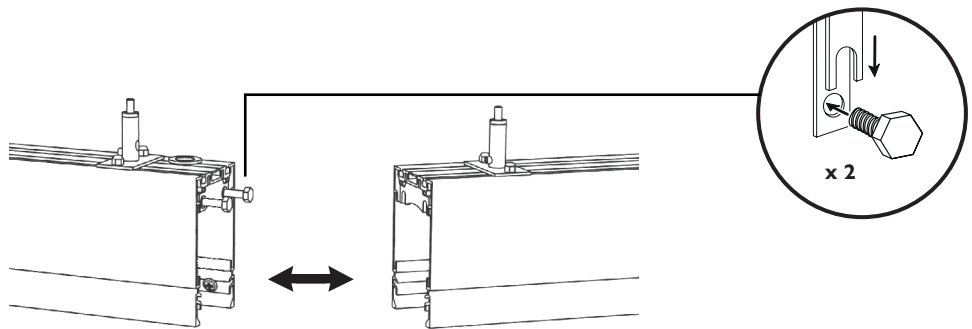
Due to the weight of these luminaires, ensure suitable fixings are used when installing



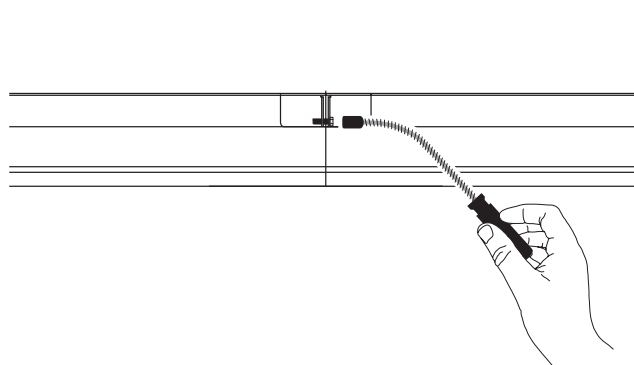
Screws (Not Supplied)

4. Linking Modules

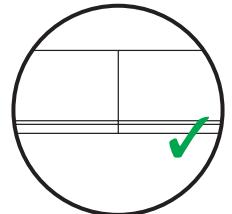
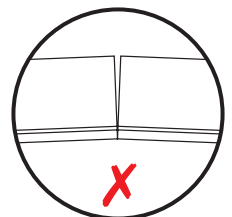
1
Extrusion modules linked together.



2
Tighten Link Plate screws.



Use flexible spanner as supplied in tool kit.

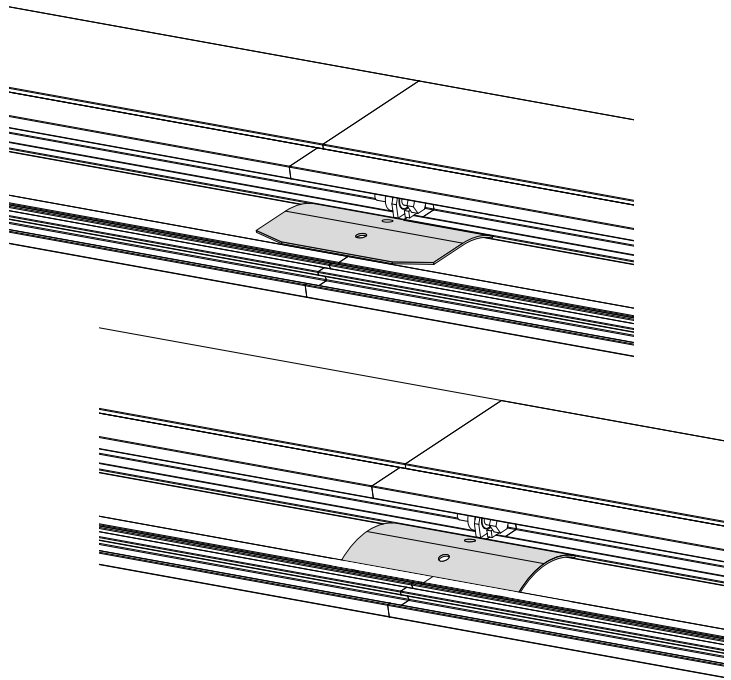


4. Linking Modules Cont.

3

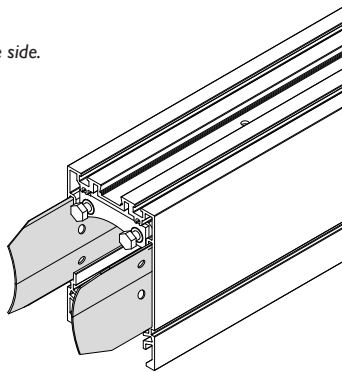
Insert Plastic Linking Plates:

Firstly, push upwards into top slot.
Then Push bottom edge upwards until it clips into the bottom slot.

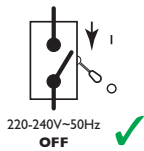


4

Repeat for the opposite side.

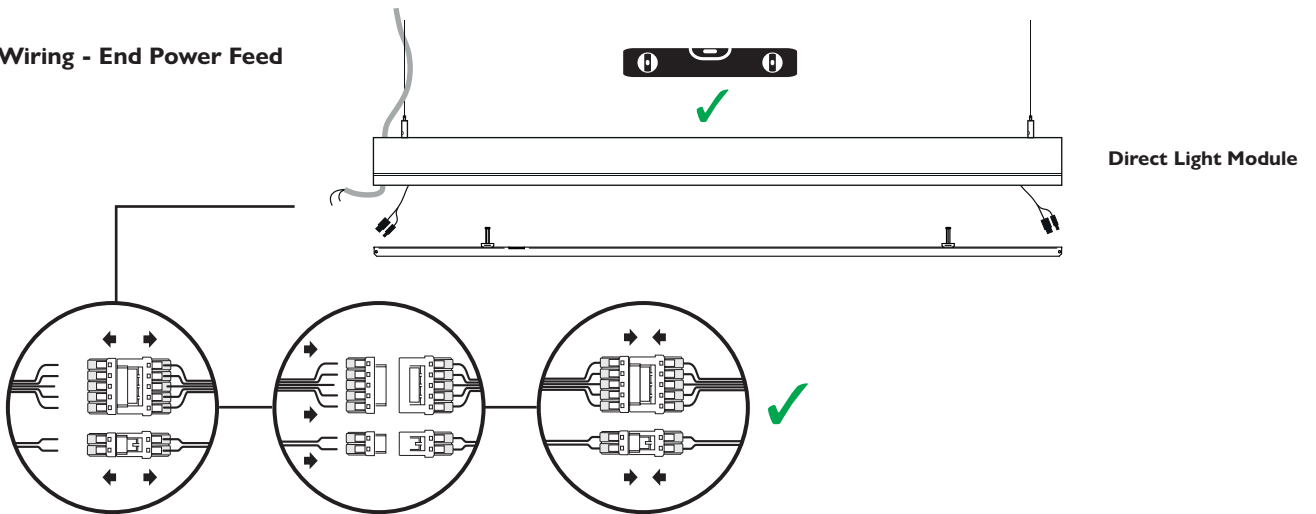


Infinitas Nano Linear System - Wiring Instructions



WARNING - Disconnect electricity supply before installation

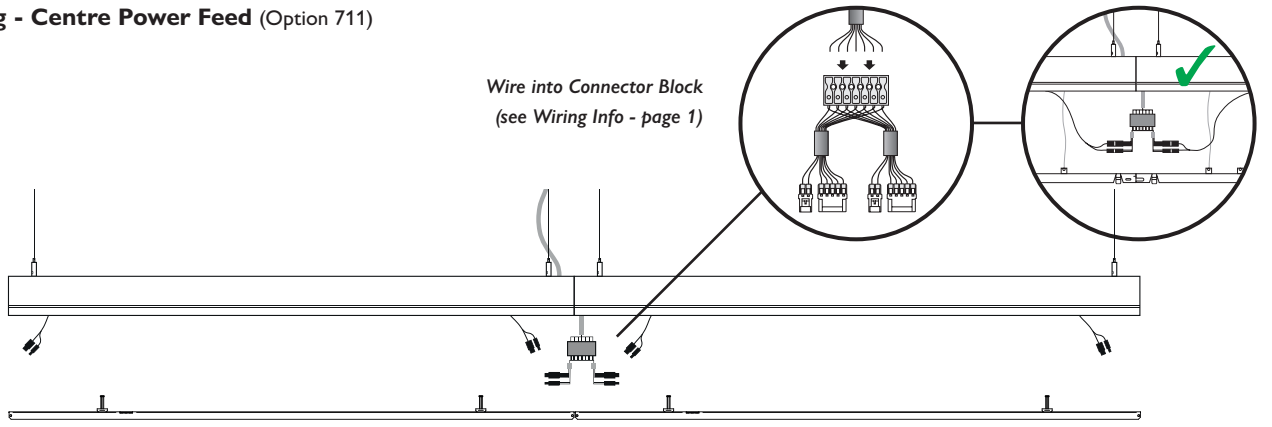
5. Wiring - End Power Feed



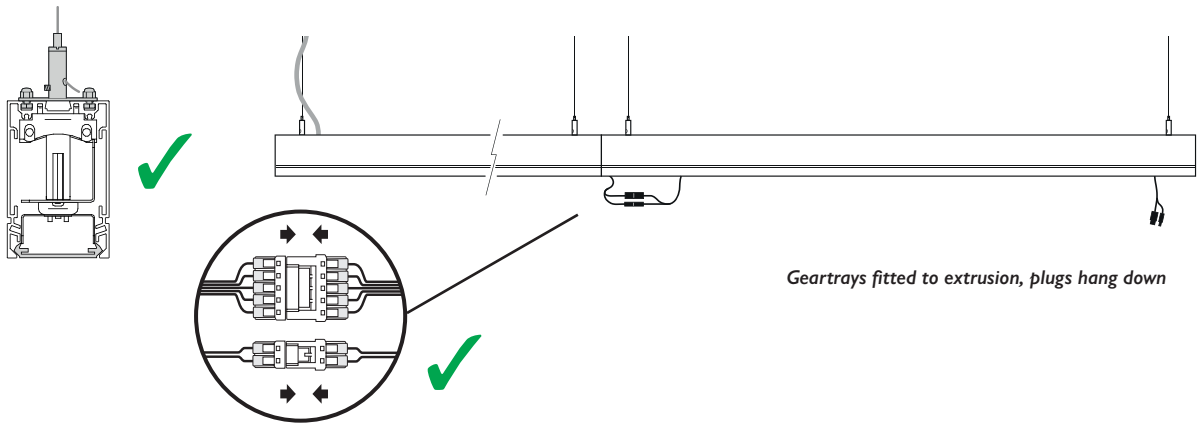
Wire power cable into connectors for **Direct Light**. (see Wiring Info - page 1)

Additional Socket provided with each Module

6. Wiring - Centre Power Feed (Option 711)



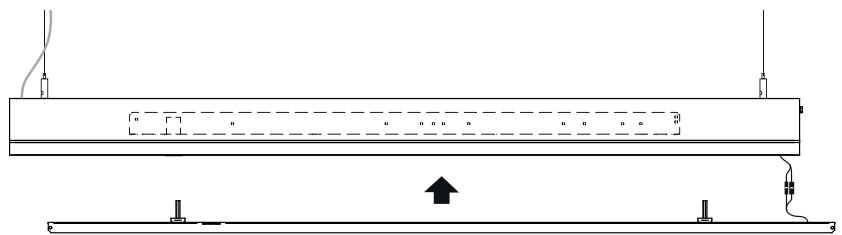
8. Wiring - Plug and Socket Connection



7. Wiring - Direct Module

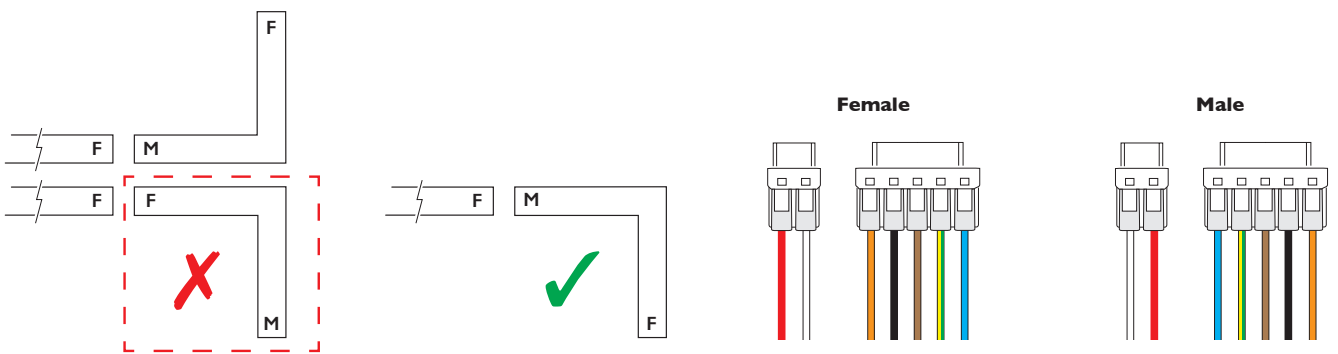
IMPORTANT

If power is applied to driver before LED plug connection then the driver may shut down due to no load. A mains power reset will rectify this.



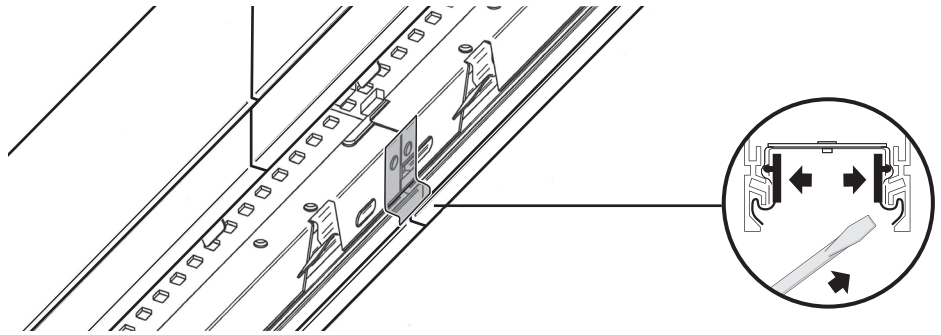
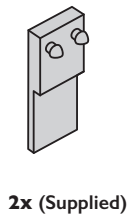
Make plug connection, then push lamp tray into extrusion

9. Wiring - Corner Plug and Socket Connection

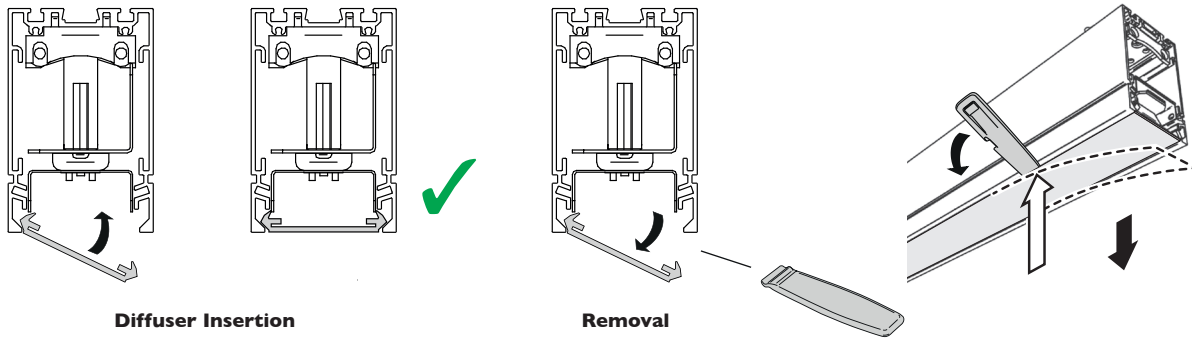


Swap Plugs and Sockets as required for correct direction

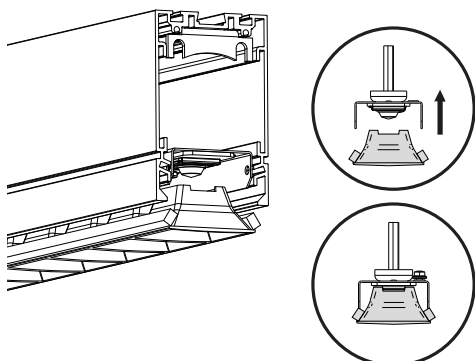
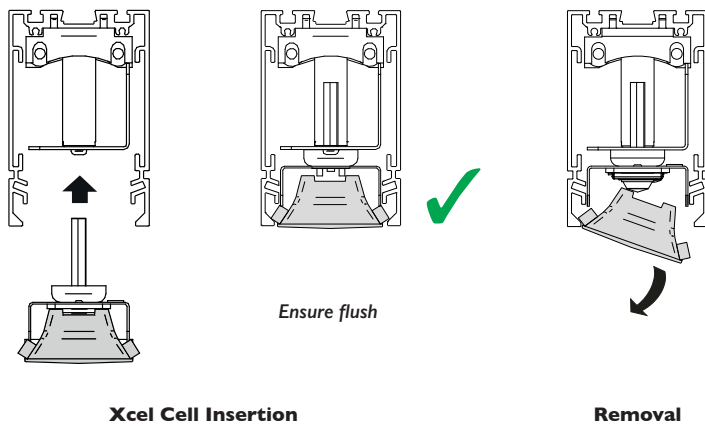
10. Light Baffle



11. Opal/Micropism Diffuser - Installation



Xcel Fascia - Installation

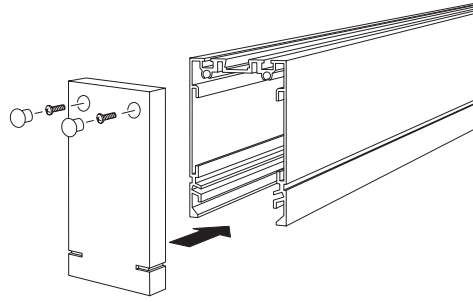


Ensure shades are fully clipped on prior to installation.
Should be flat along lamp tray.

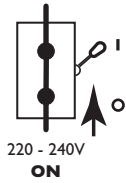
Xcel Shade Re-Installation

12. End Cap - Installation

Where applicable Plug's supplied with Surface and Suspended versions only.



13. Completed Installation - Power Supply

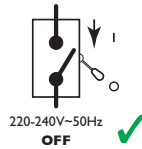


Reconnect electricity supply once system is installed

Reconnect the mains supply to ensure all Modules are illuminated correctly.

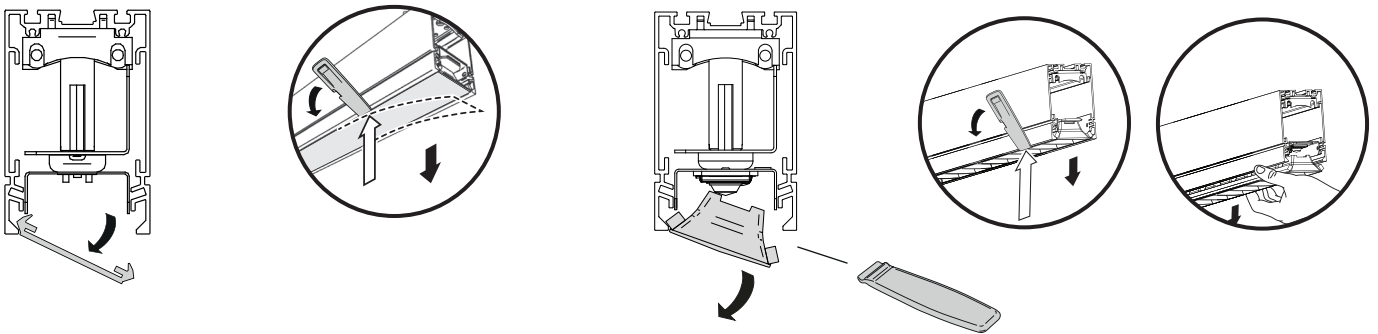


Infinitas Nano Linear System - Battery Replacement

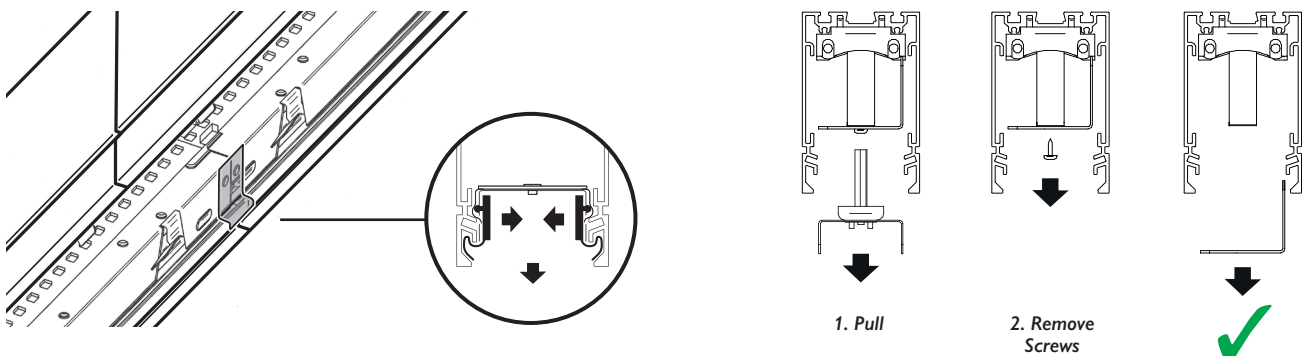


WARNING - Disconnect electricity supply before starting Battery Replacement

14. Fascia Removal

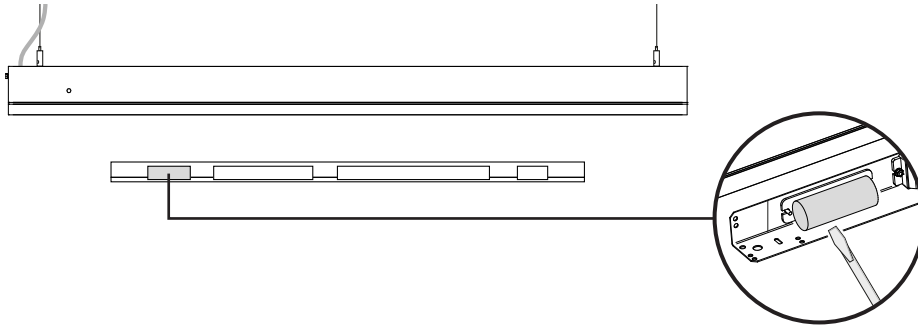


15. Light Baffle / Lamp Tray / Gear Tray Removal



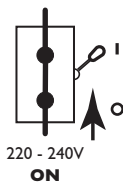
16. Battery Replacement

Undo nuts holding Battery from Gear Tray and replace



17. Reassemble Module

Repeat points 14-16 in reverse to reinstall the luminaire before reconnecting the power supply.



Reconnect electricity supply once system is installed

Reconnect the mains supply to ensure all Modules are illuminated correctly.

