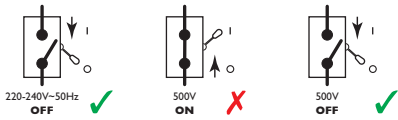


Infinitas Micro Continuous System



IMPORTANT

Disconnect before High Voltage Insulation testing

IMPORTANT INFORMATION

- This Document and the Tool Kit must be left on site with the end user
- Disconnect electricity supply before installation / To be installed by qualified personnel only
- **Due to the weight of these luminaires, ensure suitable fixings are used when installing!**
- The Infinitas Wiring Harness is rated at 16A, therefore several mains/dimming supplies may be required for larger systems. Mains/dimming supply cable not supplied.
- Before installing please familiarise yourself with the orientation of the Modules Male/Female wiring connections to ensure correct continuity is achieved
- Infinitas Micro Corners can be either left or right handed. Fit the Plug/Harnesses to each Connector Block to maintain a Male/Female connection to the adjoining Module. Ensure the cables are inserted into the correct terminals by matching the cable colours to the Connector Block label to ensure correct polarity.
- When installing, Hacer recommends wearing disposable gloves to avoid fingerprinting to the paint work of the luminaire
- When installing Wallwasher Modules remove the front fascia and follow the rest of this document

Installation
(2 People)



Link Modules



Solo Modules



Wiring Information

Black	L2
Brown	L1
Green/Yellow	PE
Blue	N
Orange	0
Red	
White	

Non Dim/Emergency	DALI Dim/Emergency	Switch Dim/Emergency	PIR/PIR DALI/Emergency
Unswitched Live (Emergency)	Unswitched Live (Emergency)	Unswitched Live (Emergency)	Unswitched Live (Emergency)
Switched Live	Unswitched Live	Unswitched Live	Unswitched Live for DALI PIR (Dimmable)
Earth	Earth	Earth	Earth
Neutral	Neutral	Neutral	Neutral
Not used	Not used	Switched Live (DIM)	Unswitched Live for PIR (Switching only)
Not used	DALI 1	Not used	Not used
Not used	DALI 2	Not used	Not used

Maintenance

- Disconnect electricity supply before carrying out maintenance, including cleaning Diffusers.
- Maintenance must be carried out by two persons.
- When removing Modules and Geartrays ensure that they are lowered parallel to the mounting surface.
- When replacing Suspended Modules the Suspension Wires must also be replaced.

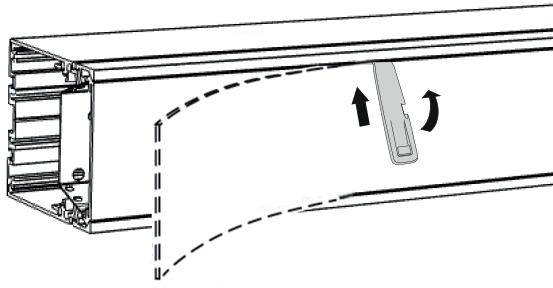
Removing Geartrays (2 persons)

- Remove the Diffuser/Fascia.
- Remove the Geartray fixing screws ensuring that both ends of the Geartray are supported during the procedure.
- The Geartray will then drop free of the Module allowing the electrical connections to be disconnected.

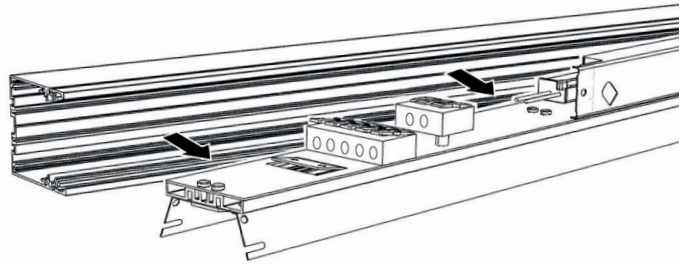
Hacer[®]
Fluent in Lighting

Technical: (0191) 280 9914
Email: technical@hacer.co.uk
Web: www.hacer.co.uk

All Modules - Infinitas Micro Continuous System

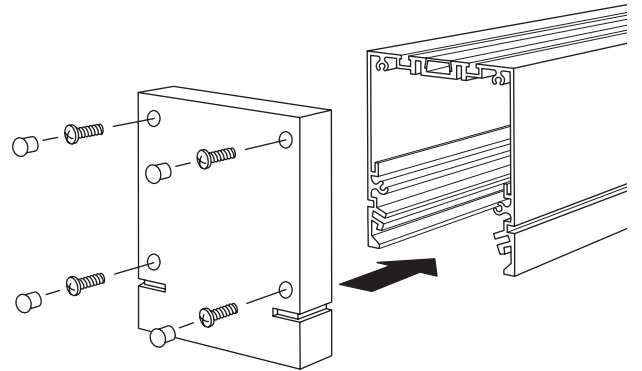
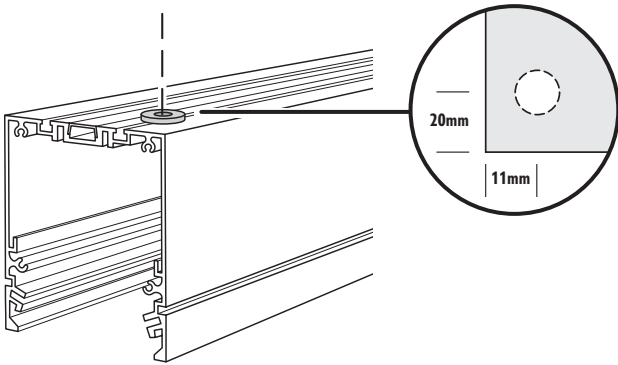


Plastic Lever



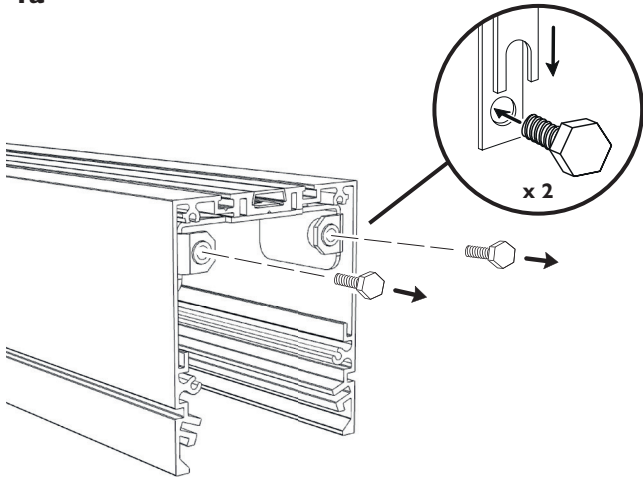
To remove Gear Trays, remove the screws from closed slots, loosen the screws from the open slots but do not remove the screws and slide the Gear Tray out. Temporarily mark matching Diffusers, Gear Trays and Housings.

Mains/dimming supply cable not supplied.



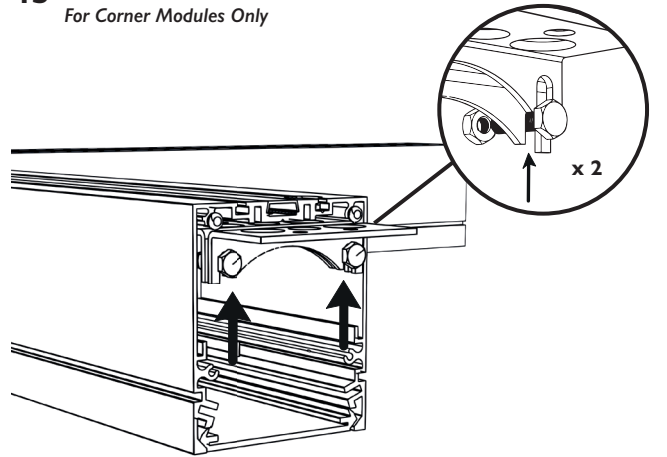
Where applicable
Plug's supplied with Surface and Suspended versions only.

1a



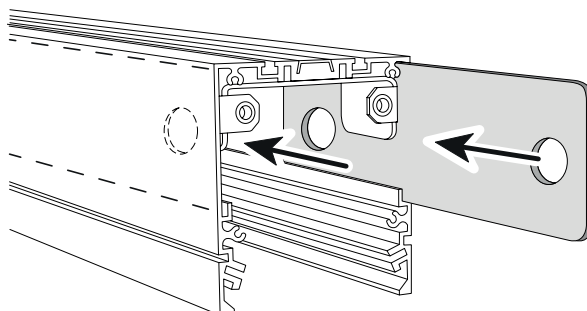
1b

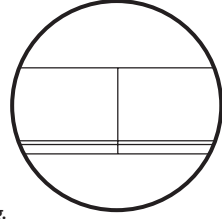
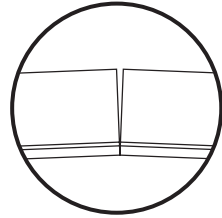
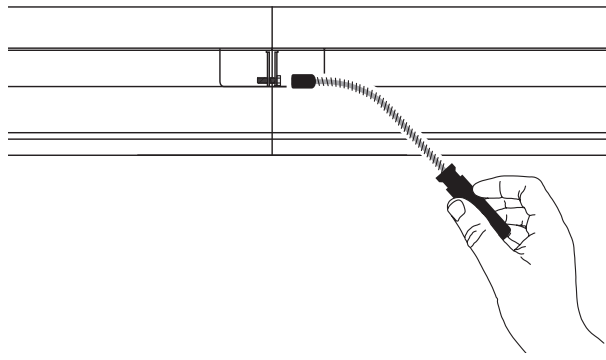
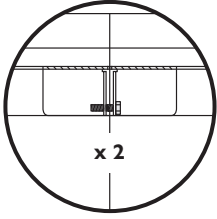
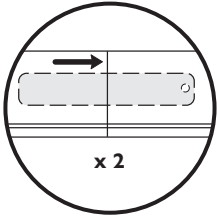
For Corner Modules Only



2

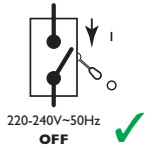
Link Modules use a 100mm sliding Connection Plate.





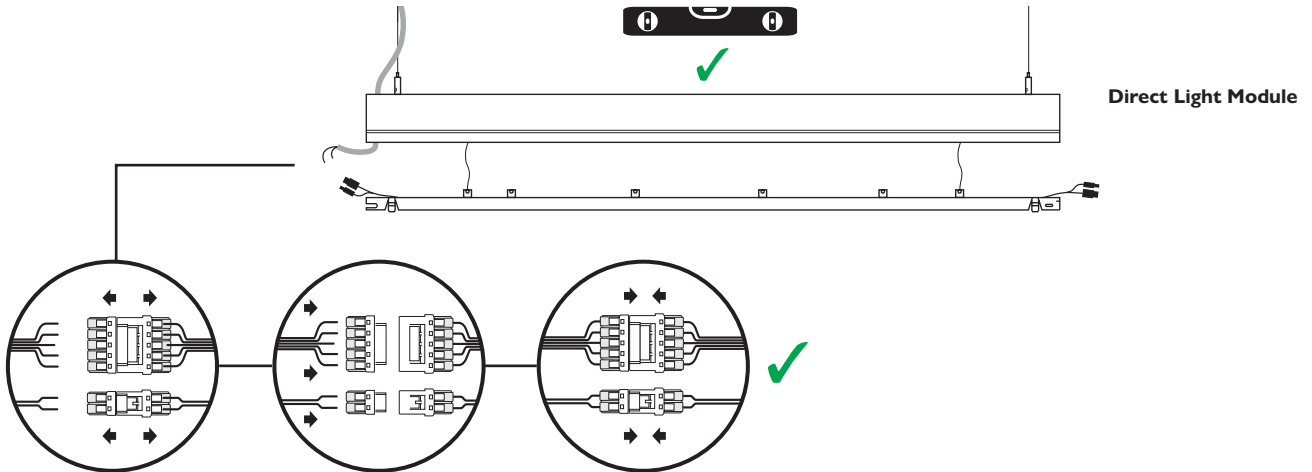
*For Bezel Free Systems, plastering up to the 3mm lip should be carried out at this point.
Plasterboard Joint Tape should be applied over the bezel and adjoining surface before plastering.*

Infinitas Micro Linear System - Wiring Instructions



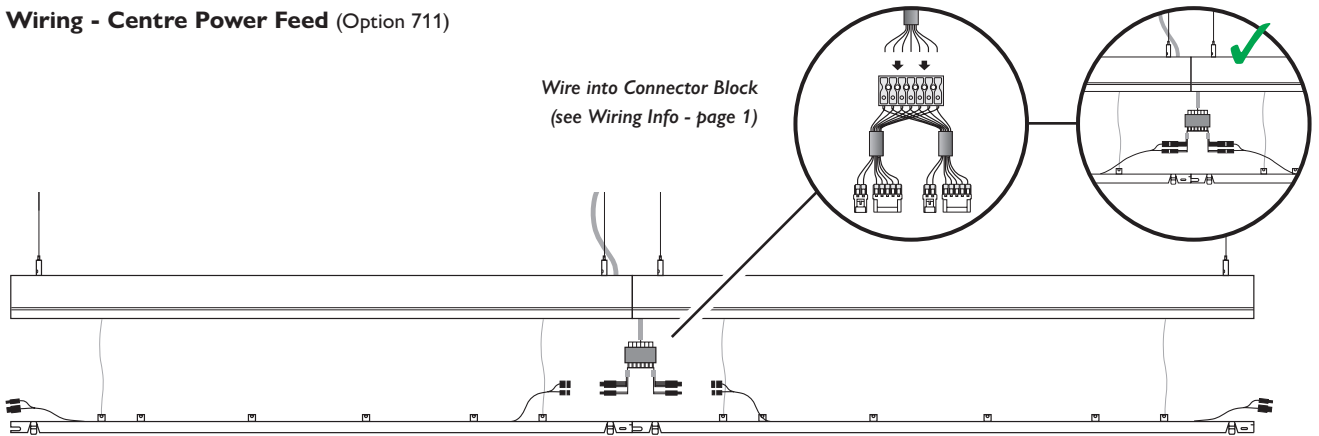
WARNING - Disconnect electricity supply before installation

4 Wiring - End Power Feed



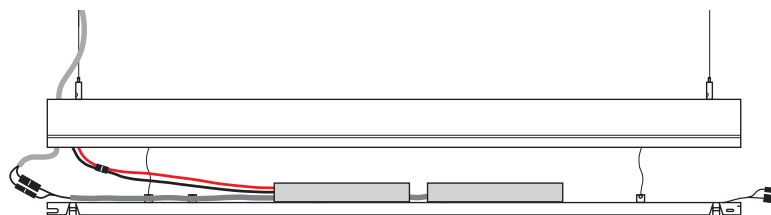
Wire power cable into connectors for **Direct Light**. (see Wiring Info - page 1)
Additional Socket provided with each Module

5 Wiring - Centre Power Feed (Option 711)



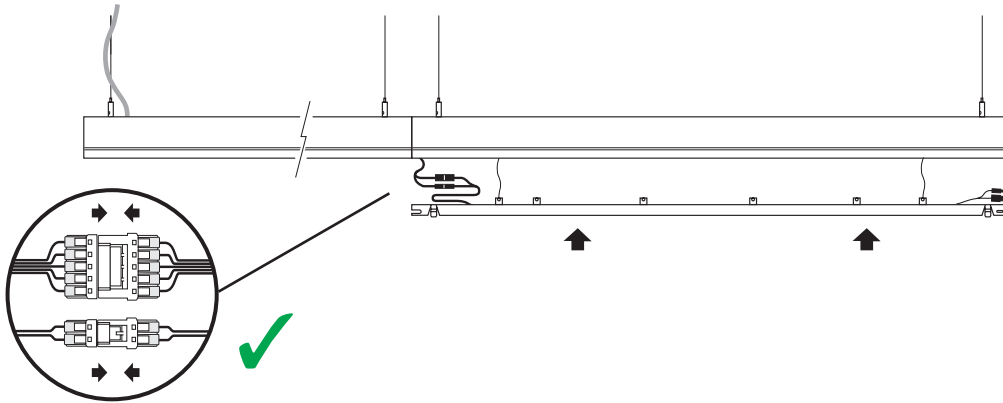
Wire into Connector Block
(see Wiring Info - page 1)

6 Wiring - Direct Indirect Module

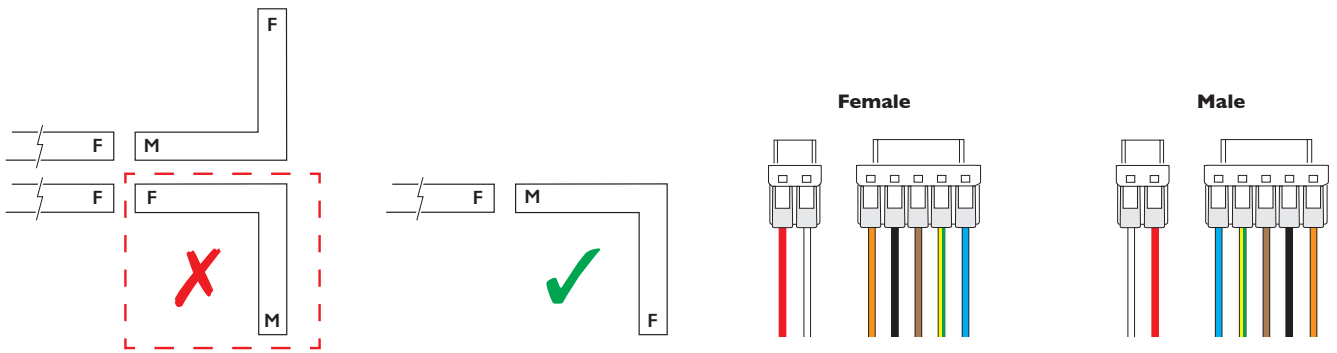


Connect Red & Black wires from Indirect Light to driver

7 **Wiring - Plug and Socket Connection**

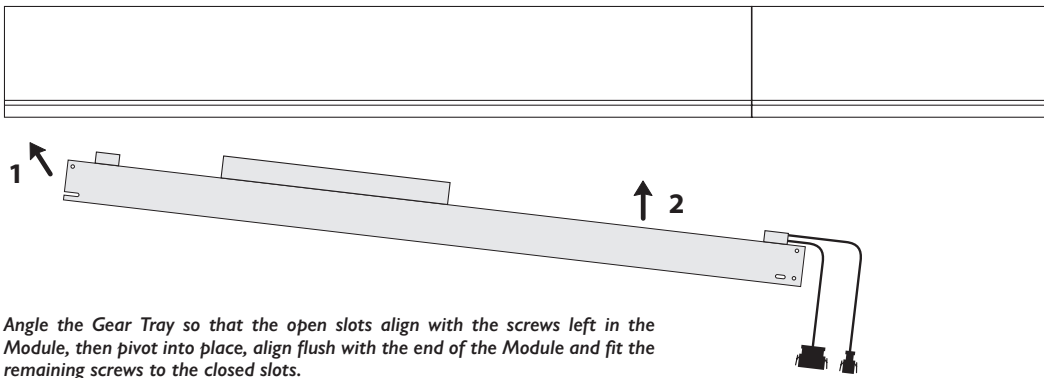


8 **Wiring - Corner Plug and Socket Connection**



Swap Plugs and Sockets as required for correct direction

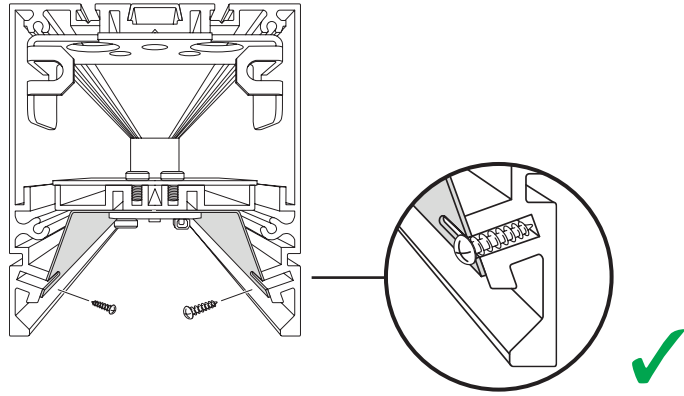
9



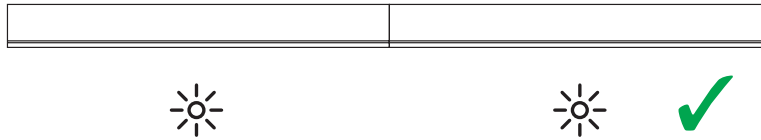
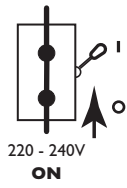
Angle the Gear Tray so that the open slots align with the screws left in the Module, then pivot into place, align flush with the end of the Module and fit the remaining screws to the closed slots.

10 _____

Ensure end of reflectors are aligned with end of Modules.
Do not tighten screws until you are certain that the
Geartrays are correctly aligned.

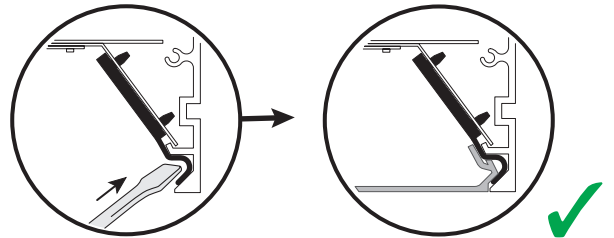
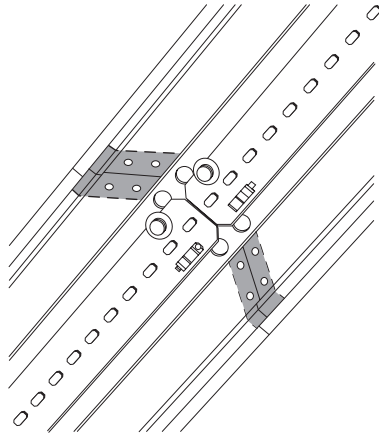
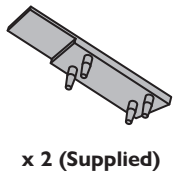
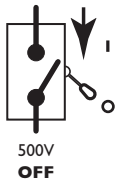


11 _____

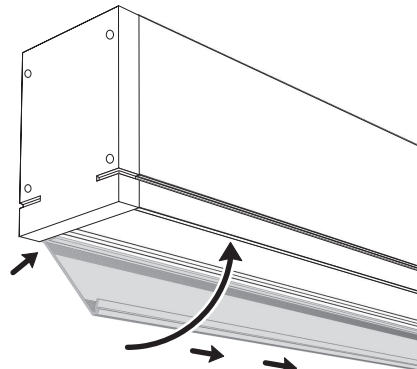


Reconnect the mains supply to ensure all Modules are illuminated correctly.

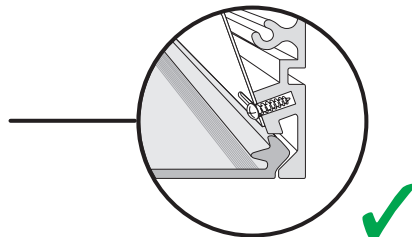
12 _____



13 _____

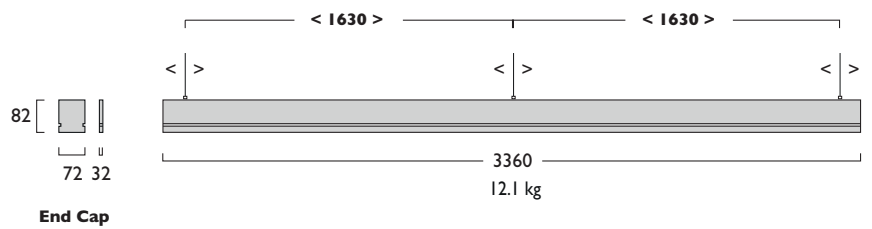
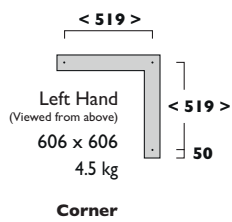
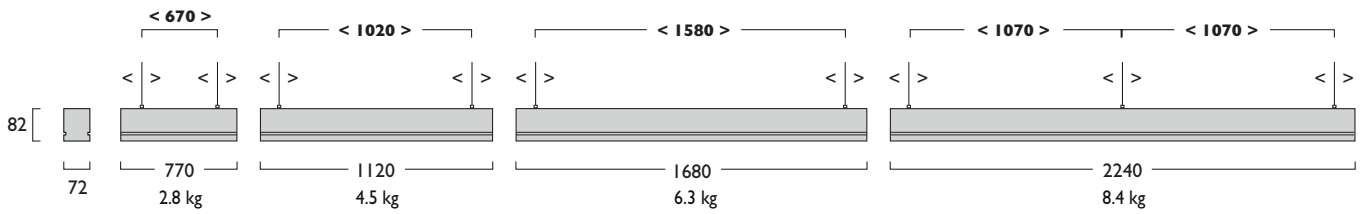


Place hard up against End Cap.



Suspended Modules - Infinitas Micro Continuous System

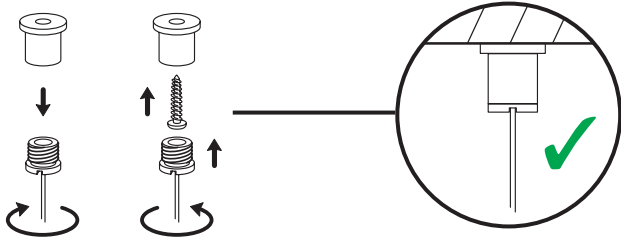
Suspended Modules Fixing Centres (mm)



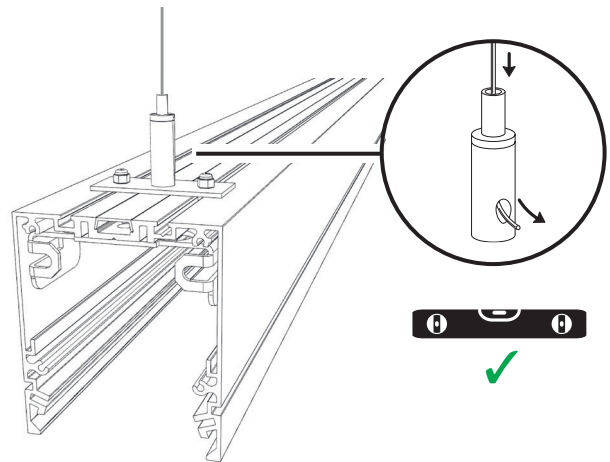
1

IMPORTANT

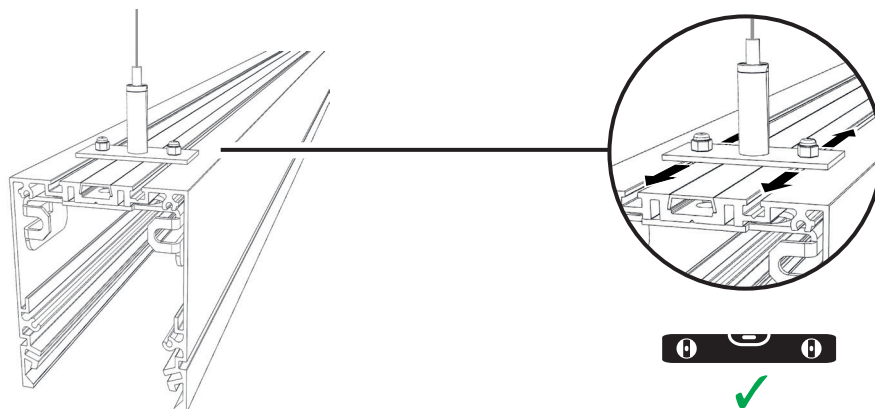
Due to the weight of these luminaires, ensure suitable fixings are used when installing!



(Screws Not Supplied)

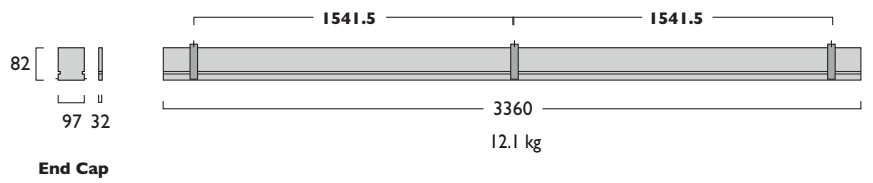
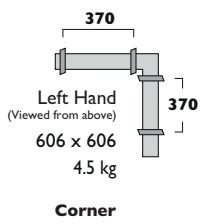
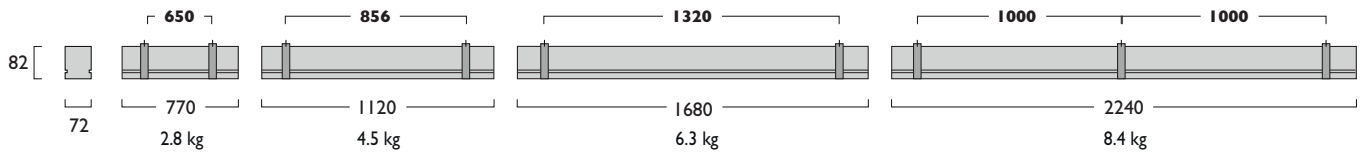


2

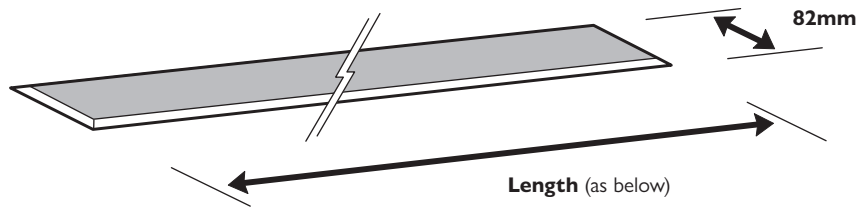


Recessed Modules - Infinitas Micro Continuous System

Recessed Modules Fixing Centres (mm)



1 _____

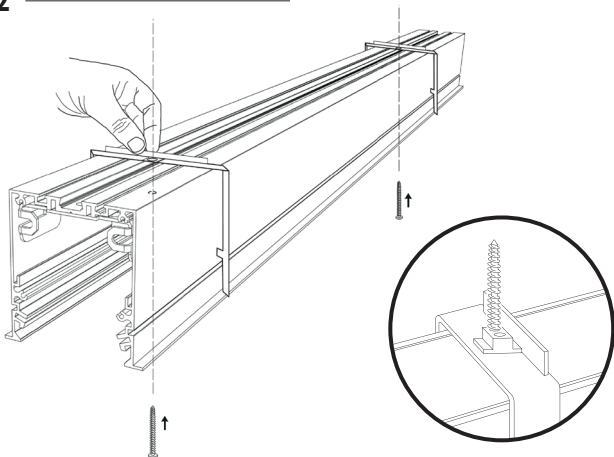


Maximum clamping thickness 35mm

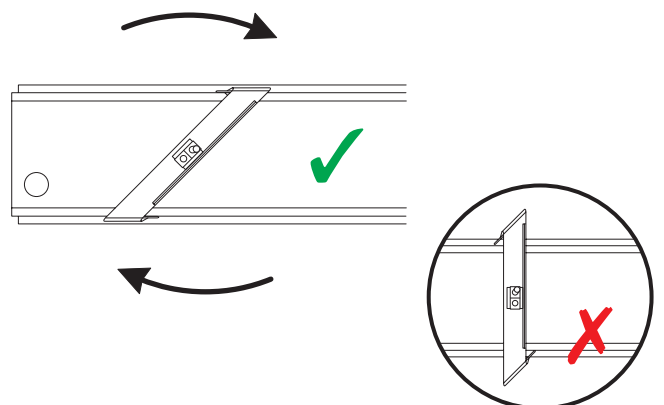
Cut out size: Width 82mm x Total Length of all Modules + 40mm (for End Caps if applicable) + 10mm (clearance)

For Emergency Modules the Indicator must be fitted into the Remote Holder, which requires a 20mm diameter cut out adjacent to the Emergency Module.

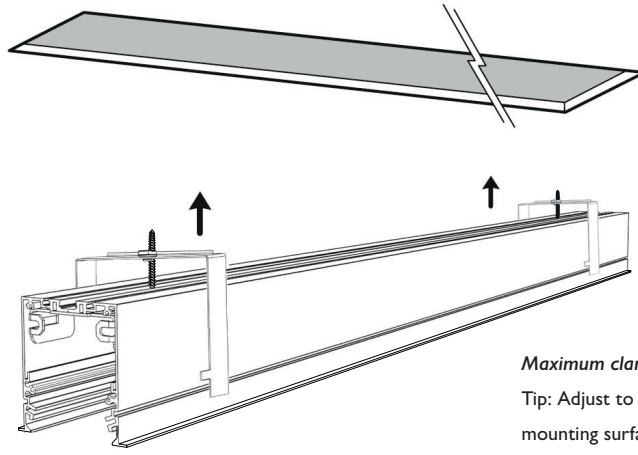
2 _____



3 _____



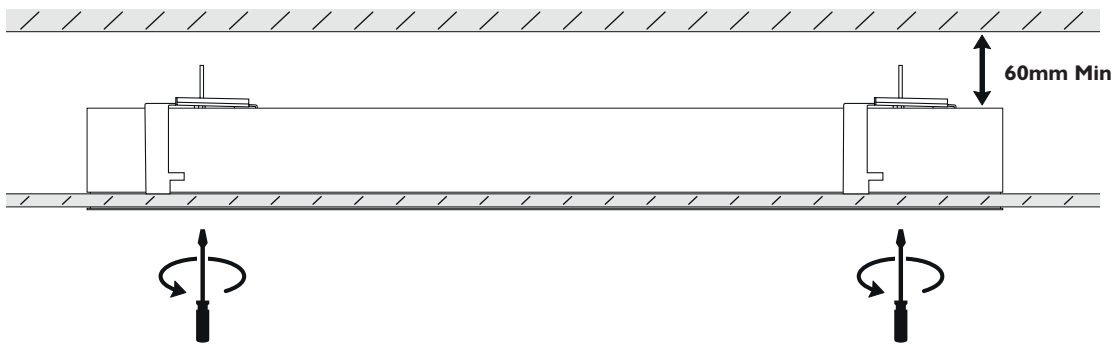
4 _____



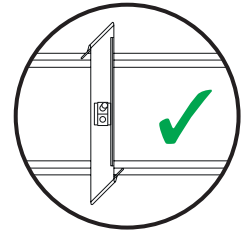
Maximum clamping thickness 35mm.

Tip: Adjust to slightly higher than the thickness of the mounting surface

5 _____

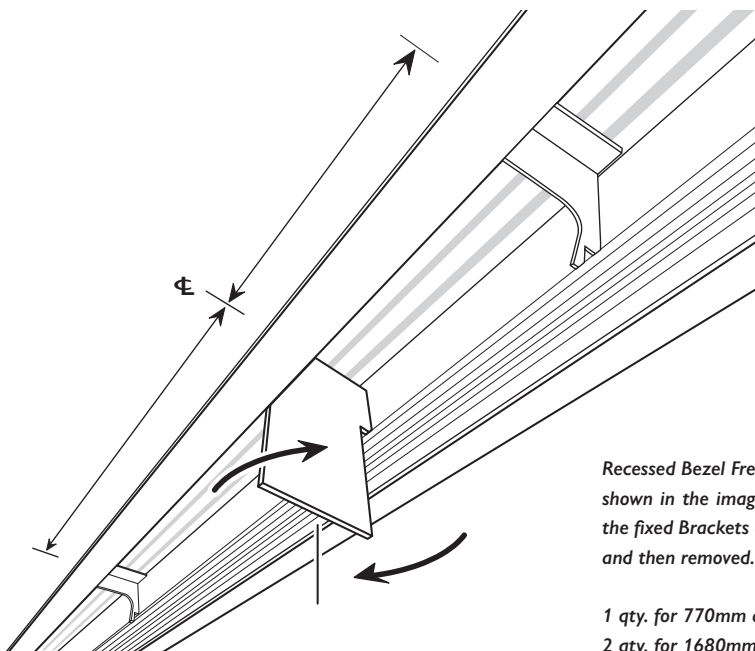


60mm Min



Do not overtighten Clamp Screws

6 _____

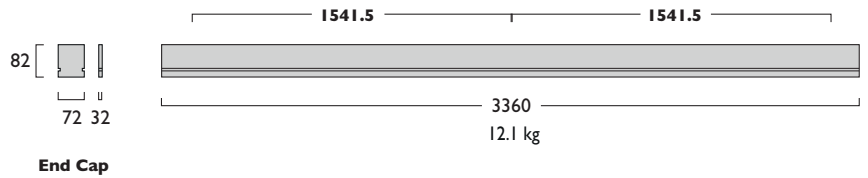
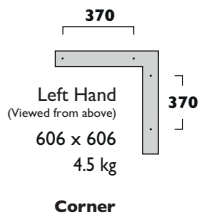
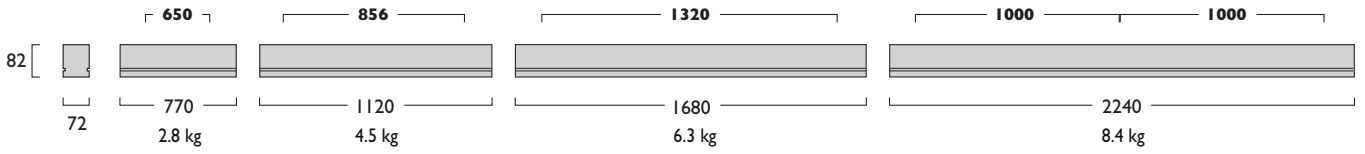


Recessed Bezel Free versions are supplied with Bracing Plates, these must be installed as shown in the image prior to plastering. They should be positioned equidistant between the fixed Brackets as shown and should be left in place until the plaster is completely dry and then removed. Bracing Plate quantities as follows:

- 1 qty. for 770mm and 1120mm Modules
- 2 qty. for 1680mm and Corner Modules
- 3 qty. for 2240mm and 3360mm Modules

Surface Modules - Infinitas Micro Continuous System

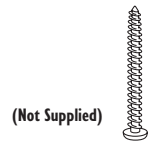
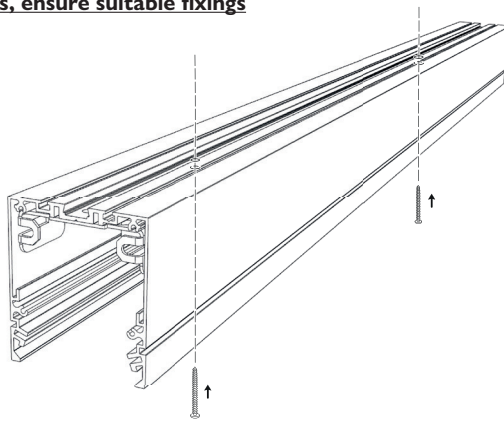
Surface Modules Fixing Centres (mm)



1

IMPORTANT

Due to the weight of these luminaires, ensure suitable fixings are used when installing!



2

