

## Infinitas® Direct Indirect

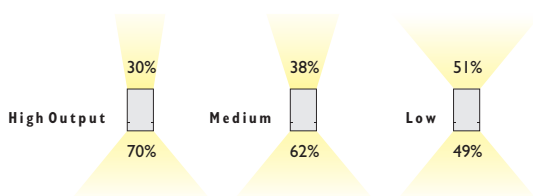
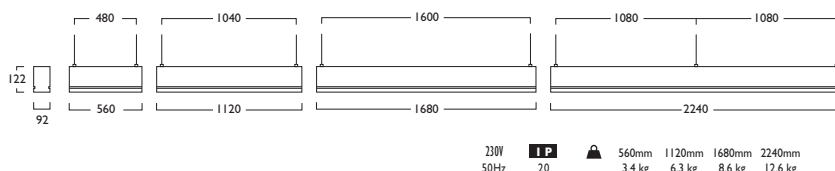
Infinitas® by Hacer is a refined LED system. Sleek and slender in its design, the system is precision extruded and offers continuous lines of uninterrupted uniform lighting. Optional accent luminaires further enhance the versatility of Infinitas®. Completely illuminated corners further enhance the Infinitas® range.

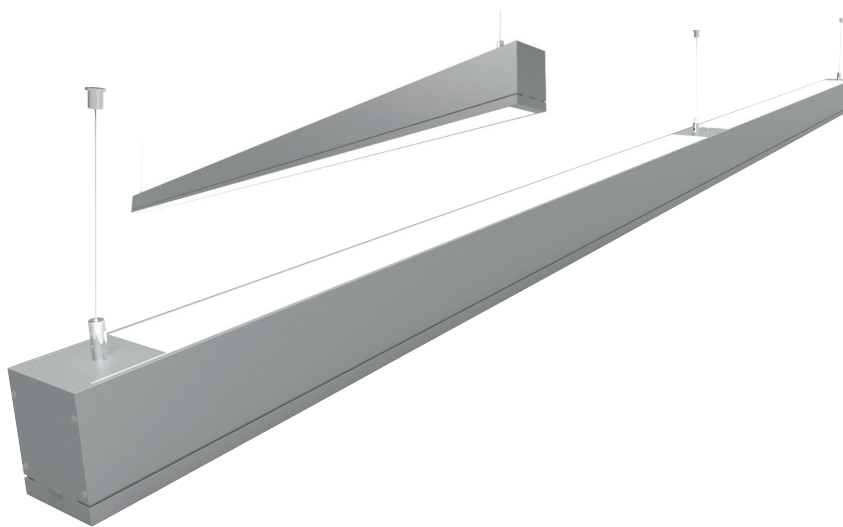
Stylish solo modules are also available to compliment the continuous system. Solo Modules are supplied complete with End Caps.

- Available in High, Medium or Low Output Modules
- Plug and socket connections for quick assembly on link systems.
- Offering a choice of lumen outputs, delivering up to 10860 lumens
- Efficacies up to 112 lm/W
- Opal polycarbonate refractor designed for maximum performance, Refractor TP(b) rated
- Features efficient uplighting functionality
- Life expectancy in excess of 72,000 hours (L80 B10)
- Low Output Modules suitable for office and educational lighting, UGR <19
- Available in suspended format only, supplied with 2m Wire Suspensions as standard
- Wireless Lighting Control available, see Connected video for full overview

## Suspended Modules Fixing Centres (mm)

Suspended fixing centres





High Output

3	Warm White LED (3000K)	CRI 80	17W	33W	50W	66W
	Lumen Output		2595 lm	5190 lm	7785 lm	10380 lm
	LOR		0.63	0.63	0.63	0.63
	CRI		80	80	80	80
	Total Power		17.4W	34.8W	50.5W	68.6W
	Power Factor		0.95	0.95	0.95	0.95
	Running Current		0.08A	0.16A	0.23A	0.31A
	Inrush Current (Std)		46.0A (250us)	46.0A (250us)	47.0A (250us)	82.0A (250us)
	Inrush Current (Dim)		27.2A (304us)	27.2A (304us)	69.0A (180us)	56.2A (304us)
	Efficacy		93 lm/W	93 lm/W	97 lm/W	95 lm/W
	Emergency Output (BLF)		N/A	413 (11%)*	395 (7%)*	376 (5%)*

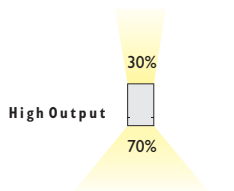
4	Neutral White LED (4000K)	CRI 80	17W	33W	50W	66W
	Lumen Output		2715 lm	5430 lm	8145 lm	10860 lm
	LOR		0.63	0.63	0.63	0.63
	CRI		80	80	80	80
	Total Power		17.4W	34.8W	50.5W	68.6W
	Power Factor		0.95	0.95	0.95	0.95
	Running Current		0.08A	0.16A	0.23A	0.31A
	Inrush Current (Std)		46.0A (250us)	46.0A (250us)	47.0A (250us)	82.0A (250us)
	Inrush Current (Dim)		27.2A (304us)	27.2A (304us)	69.0A (180us)	56.2A (304us)
	Efficacy		98 lm/W	98 lm/W	101 lm/W	99 lm/W
	Emergency Output (BLF)		N/A	432 (11%)*	413 (7%)*	393 (5%)*

\* % of Direct illumination

## Infinitas® Direct Indirect

High Output

LED	17W	33W	50W	66W
560mm	385	386	387	388
1120mm	393	394	395	396
1680mm	393	394	395	396
2240mm	393	394	395	396



560mm Not available in Emergency Gear Types

To ensure illumination uniformity High, Medium or Low Output Modules should **not** be mixed. Modules should **always** be matched within their output group.

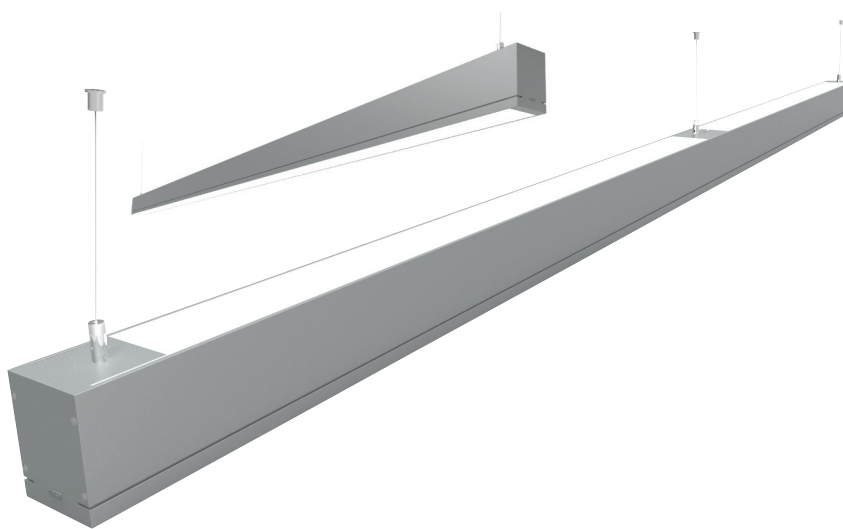
- IV** Link Suspended (Direct/Indirect)
- IK** Solo Suspended (Direct/Indirect)
- A** Integral Driver/Remote
- E** Emergency
- J** Switch Dim
- K** Switch Dim + Emergency
- S** DALI Dim
- T** DALI Dim + Emergency
- C** DALI Dim + DALI Emergency
- L** DALI Bluetooth
- M** DALI Bluetooth + Emergency

**3** Warm (3000K)    **4** Neutral (4000K)

**1** White (RAL 9010)    **2** Urban Graphite (RAL 7046)    **3** Black (RAL 9005)

**303** 2x 5m Suspensions (wires only) (560mm/1120mm/1680mm Modules)

**344** 3x 5m Suspensions (wires only) (2240mm Modules)



Medium Output

3	Warm White LED (3000K)	CRI 80	12W	24W	36W	48W
	Lumen Output		2064 lm	4128 lm	6192 lm	8256 lm
	LOR		0.63	0.63	0.63	0.63
	CRI		80	80	80	80
	Total Power		13.7W	26.7W	38.3W	52.5W
	Power Factor		0.90	0.90	0.95	0.90
	Running Current		0.07A	0.13A	0.18A	0.25A
	Inrush Current (Std)		29.0A (126us)	29.0A (126us)	47.0A (240us)	48.0A (240us)
	Inrush Current (Dim)		27.2A (304us)	27.2A (304us)	69.0A (180us)	56.2A (304us)
	Efficacy		94 lm/W	97 lm/W	101 lm/W	99 lm/W
	Emergency Output (BLF)		N/A	432 (16%)	445 (11%)*	432 (8%)*

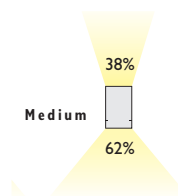
4	Neutral White LED (4000K)	CRI 80	12W	24W	36W	48W
	Lumen Output		2160 lm	4320 lm	6480 lm	8640 lm
	LOR		0.63	0.63	0.63	0.63
	CRI		80	80	80	80
	Total Power		13.7W	26.7W	38.3W	52.5W
	Power Factor		0.90	0.90	0.95	0.90
	Running Current		0.07A	0.13A	0.18A	0.25A
	Inrush Current (Std)		29.0A (126us)	29.0A (126us)	47.0A (240us)	48.0A (240us)
	Inrush Current (Dim)		27.2A (304us)	27.2A (304us)	69.0A (180us)	56.2A (304us)
	Efficacy		99 lm/W	101 lm/W	106 lm/W	103 lm/W
	Emergency Output (BLF)		N/A	452 (16%)	466 (11%)*	452 (8%)*

\* % of Direct illumination

## Infinitas® Direct Indirect

Medium Output

LED	12W	24W	36W	48W
560mm	385	386	387	388
1120mm	12	24	36	48
1680mm	403	404	405	406
2240mm	403	404	405	406



560mm Not available in Emergency Gear Types

To ensure illumination uniformity High, Medium or Low Output Modules should **not** be mixed. Modules should **always** be matched within their output group.

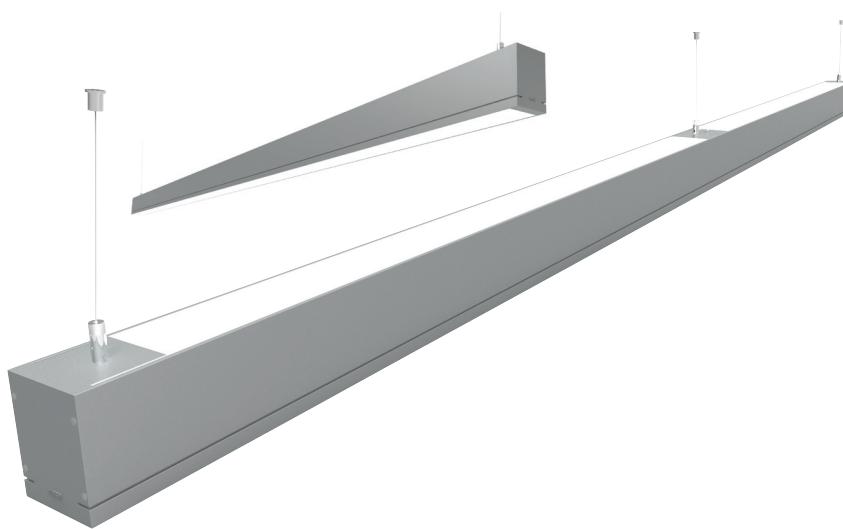
- IV Link Suspended (Direct/Indirect)
- IK Solo Suspended (Direct/Indirect)
- A Integral Driver/Remote
- E Emergency
- J Switch Dim
- K Switch Dim + Emergency
- S DALI Dim
- T DALI Dim + Emergency
- C DALI Dim + DALI Emergency
- L DALI Bluetooth
- M DALI Bluetooth + Emergency

3 Warm (3000K) 4 Neutral (4000K)

1 White (RAL 9010) 2 Urban Graphite (RAL 7046) 3 Black (RAL 9005)

303 2x 5m Suspensions (wires only) (560mm/1120mm/1680mm Modules)

344 3x 5m Suspensions (wires only) (2240mm Modules)



Low Output

3	Warm White LED (3000K)	CRI 80	8W	17W	25W	33W
	Lumen Output		1428 lm	2856 lm	4284 lm	5712 lm
	LOR		0.63	0.63	0.63	0.63
	CRI		80	80	80	80
	Total Power		8.6W	17.2W	25.7W	33.5W
	Power Factor		0.95	0.95	0.98	0.95
	Running Current		0.04A	0.08A	0.11A	0.15A
	Inrush Current (Std)		42.0A (126us)	42.0A (126us)	64.0A (240us)	74.0A (240us)
	Inrush Current (Dim)		27.2A (304us)	27.2A (304us)	69.0A (180us)	56.2A (304us)
	Efficacy		104 lm/W	104 lm/W	105 lm/W	107 lm/W
	Emergency Output (BLF)		N/A	485 (34%)*	471 (22%)*	485 (17%)*

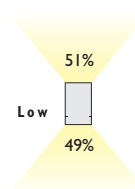
4	Neutral White LED (4000K)	CRI 80	8W	17W	25W	33W
	Lumen Output		1494 lm	2988 lm	4482 lm	5976 lm
	LOR		0.63	0.63	0.63	0.63
	CRI		80	80	80	80
	Total Power		8.6W	17.2W	25.7W	33.5W
	Power Factor		0.95	0.95	0.98	0.95
	Running Current		0.04A	0.08A	0.11A	0.15A
	Inrush Current (Std)		42.0A (126us)	42.0A (126us)	64.0A (240us)	74.0A (240us)
	Inrush Current (Dim)		27.2A (304us)	27.2A (304us)	69.0A (180us)	56.2A (304us)
	Efficacy		109 lm/W	109 lm/W	109 lm/W	112 lm/W
	Emergency Output (BLF)		N/A	507 (34%)*	493 (22%)*	507 (17%)*

\* % of Direct illumination

## Infinitas® Direct Indirect

Low Output

LED	8W	17W	25W	33W
560mm	385	386	387	388
1120mm	385	386	387	388
1680mm	385	386	387	388
2240mm	385	386	387	388



560mm Not available in Emergency Gear Types

To ensure illumination uniformity High, Medium or Low Output Modules should **not** be mixed. Modules should **always** be matched within their output group.

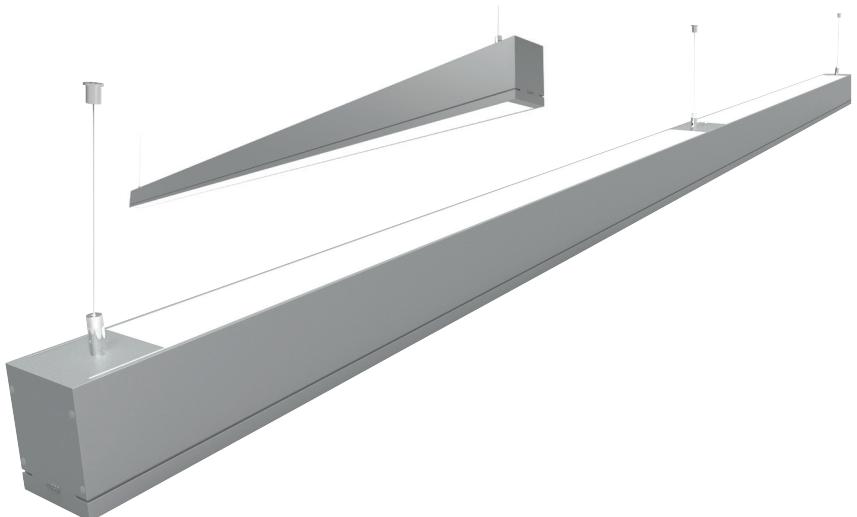
- IV** Link Suspended (Direct/Indirect)
- IK** Solo Suspended (Direct/Indirect)
- A** Integral Driver/Remote
- E** Emergency
- J** Switch Dim
- K** Switch Dim + Emergency
- S** DALI Dim
- T** DALI Dim + Emergency
- C** DALI Dim + DALI Emergency
- L** DALI Bluetooth
- M** DALI Bluetooth + Emergency

**3** Warm (3000K) **4** Neutral (4000K)

**1** White (RAL 9010) **2** Urban Graphite (RAL 7046) **3** Black (RAL 9005)

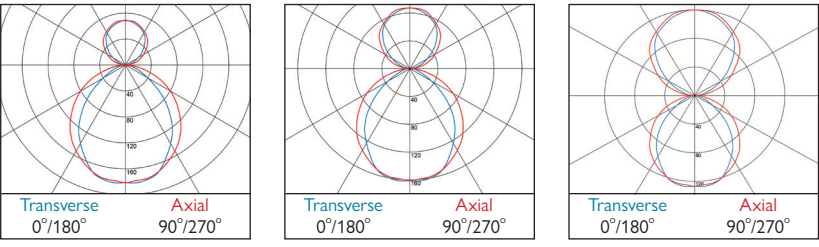
**303** 2x 5m Suspensions (wires only) (560mm/1120mm/1680mm Modules)

**344** 3x 5m Suspensions (wires only) (2240mm Modules)



# Infinitas® Direct Indirect

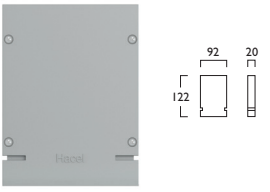
## Photometrics



**393-397** ULOR: 0.18 DLOR: 0.44 | **403-407** ULOR: 0.24 DLOR: 0.39 | **408-411** ULOR: 0.32 DLOR: 0.31

# Infinitas® End Caps

- 2x End Caps
- Suspended
- IN370
- X
- CAP000
- 



Suspended