

Infinitas® Corners Direct Indirect

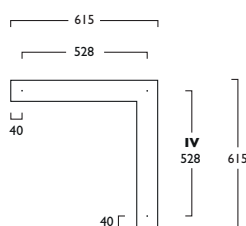
Infinitas® by Hacer is a refined LED system. Sleek and slender in its design, the system is precision extruded and offers continuous lines of uninterrupted uniform lighting. Optional accent luminaires further enhance the versatility of Infinitas®. Available in both Surface and Suspended, the flexibility is further enhanced by uplighting variations and completely illuminated corners.

Stylish Solo modules are also available to compliment the continuous system. Solo Modules are supplied complete with End Caps.

- Available in a choice of lumen outputs, delivering up to 5430 lumens
- Life expectancy in excess of 72,000 hours (L80 B10)
- Plug and socket connections for quick assembly on link systems.
- Opal polycarbonate refractor designed for maximum performance, Refractor TP(b) rated
- Efficacies up to 109 lm/W
- Low Output Modules suitable for office and educational lighting, Glare Rating <19
- Suspended luminaires are supplied complete with 2m Wire Suspensions
- Wireless Lighting Control available, see Connected video for full overview

Suspended Modules Fixing Centres (mm)

90° Corner Direct Indirect

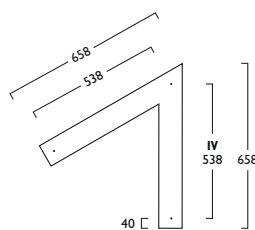


230V
50Hz

IP
20

6.3 kg

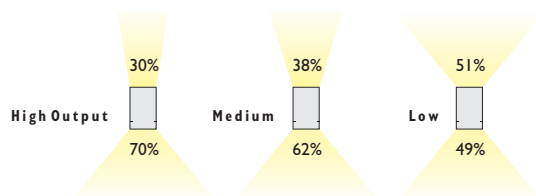
60° Corner Direct Indirect

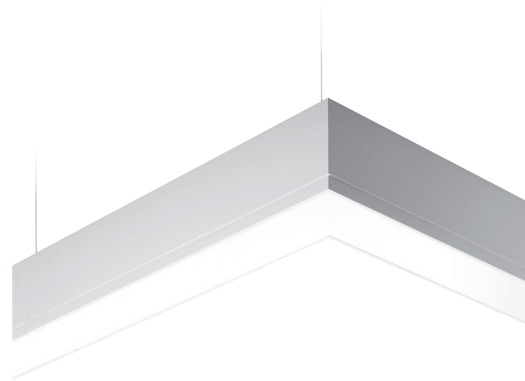
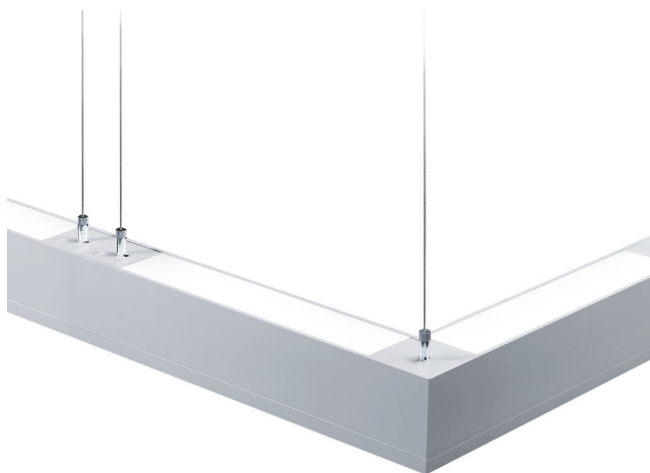


230V
50Hz

IP
20

6.3 kg





		High	Medium	Low
3	Warm White LED (3000K)	CRI 80 33W	24W	17W
	Lumen Output	5190 lm	4128 lm	2856 lm
	LOR	0.63	0.63	0.63
	CRI	80	80	80
	Total Power	34.8W	26.7W	17.2W
	Power Factor	0.95	0.90	0.95
	Running Current	0.16A	0.13A	0.08A
	Inrush Current (Std)	46.0A (250us)	29.0A (126us)	42.0A (126us)
	Inrush Current (Dim)	27.2A (304us)	27.2A (304us)	27.2A (304us)
	Efficacy	93 lm/W	97 lm/W	104 lm/W
	Emergency Output (BLF)	413 (11%)*	432 (16%)*	485 (34%)*
4	Neutral White LED (4000K)	CRI 80 33W	24W	17W
	Lumen Output	5430 lm	4320 lm	2988 lm
	LOR	0.63	0.63	0.63
	CRI	80	80	80
	Total Power	34.8W	26.7W	17.2W
	Power Factor	0.95	0.90	0.95
	Running Current	0.16A	0.13A	0.08A
	Inrush Current (Std)	46.0A (250us)	29.0A (126us)	42.0A (126us)
	Inrush Current (Dim)	27.2A (304us)	27.2A (304us)	27.2A (304us)
	Efficacy	98 lm/W	101 lm/W	109 lm/W
	Emergency Output (BLF)	432 (11%)*	452 (16%)*	507 (34%)*

To ensure illumination uniformity High, Medium or Low Output Modules should not be mixed. Modules should always be matched within their output group.



* % of Direct illumination

Infinitas® Corners 90° Direct Indirect

High Output

LED

 33W LED 615mm

393	LED	33	399
-----	-----	----	-----

Medium Output

LED

 24W LED 615mm

393	LED	24	413
-----	-----	----	-----

Low Output

LED

 17W LED 615mm

393	LED	17	414
-----	-----	----	-----

Infinitas® Corners 60° Direct Indirect

High Output

LED

 33W LED 658mm

492	LED	33	399
-----	-----	----	-----

Medium Output

LED

 24W LED 658mm

492	LED	24	413
-----	-----	----	-----

Low Output

LED

 17W LED 658mm

492	LED	17	414
-----	-----	----	-----

IV Link Suspended (Direct/Indirect)

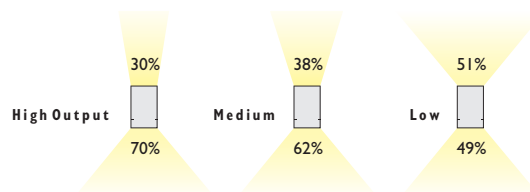
IK Solo Suspended (Direct/Indirect)

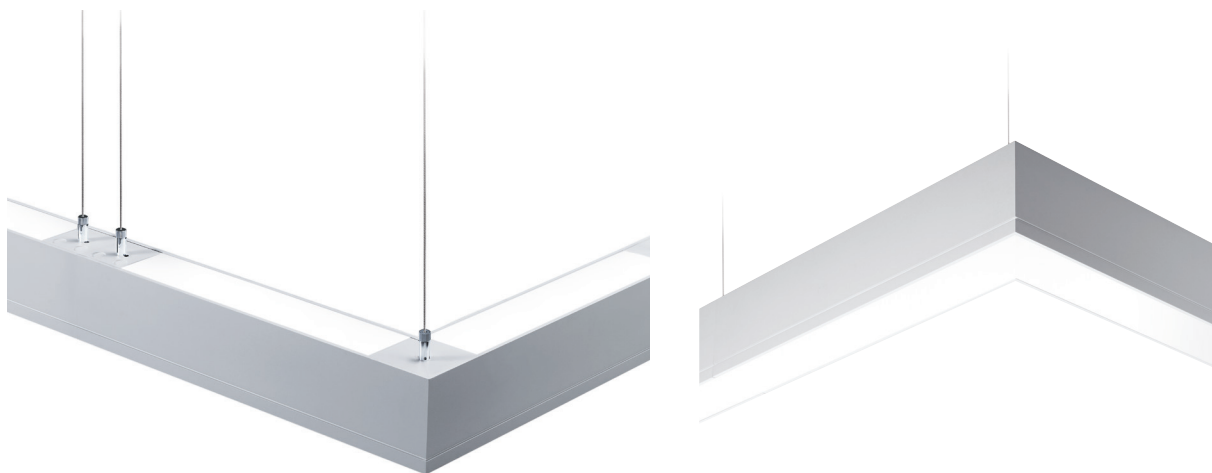
- A** Integral Drive/Remoter
- E** Emergency
- J** Switch Dim
- K** Switch Dim + Emergency
- S** DALI Dim
- T** DALI Dim + Emergency
- C** DALI Dim + DALI Emergency
- L** DALI Bluetooth
- M** DALI Bluetooth + Emergency

3 Warm (3000K) **4** Neutral (4000K)

1 White (RAL 9010) **2** Urban Graphite (RAL 7046) **3** Black (RAL 9005)

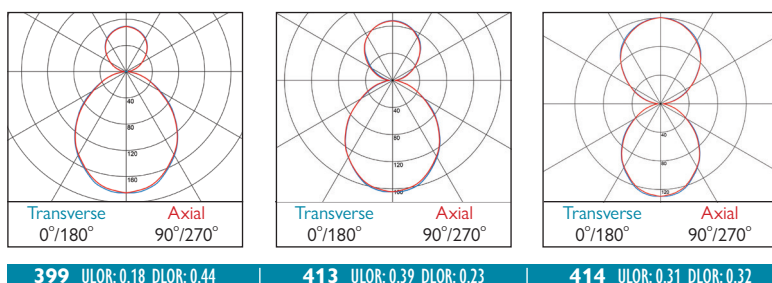
344 3x 5m Suspensions (wires only)(2240mm/3360mm Modules)





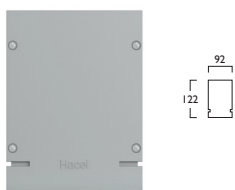
Infinitas® Corners Direct Indirect

Photometrics



Infinitas® End Caps

2x End Caps Suspended IN370 X CAP000 -



Suspended