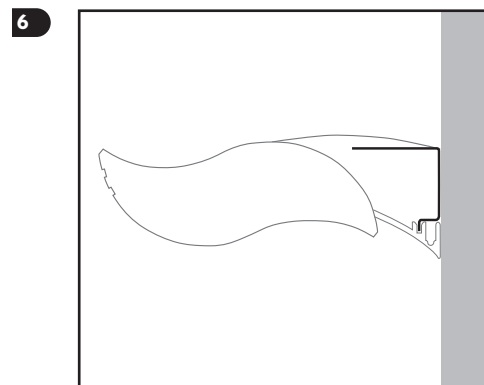
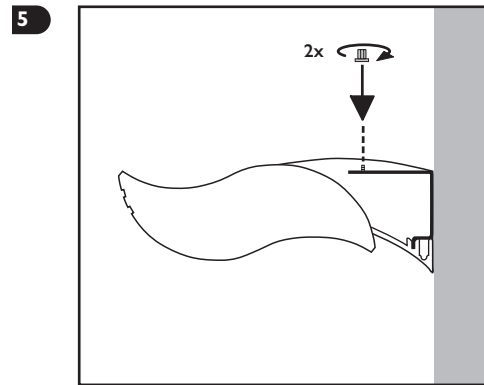
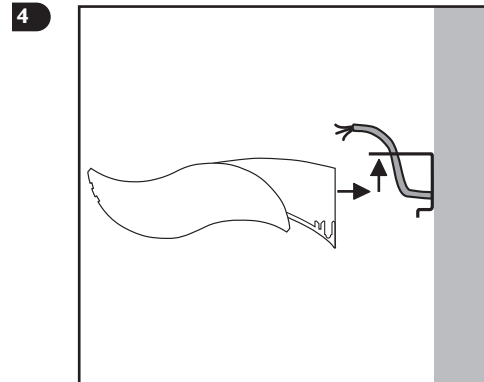
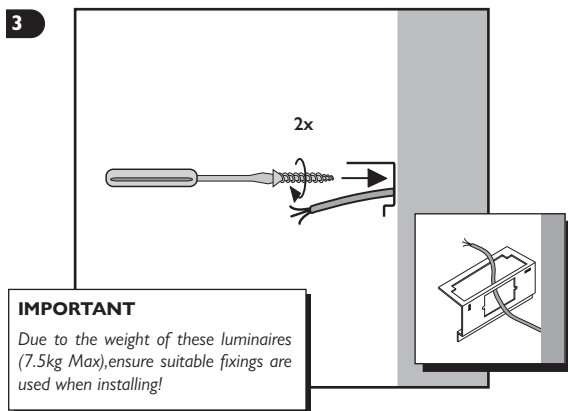
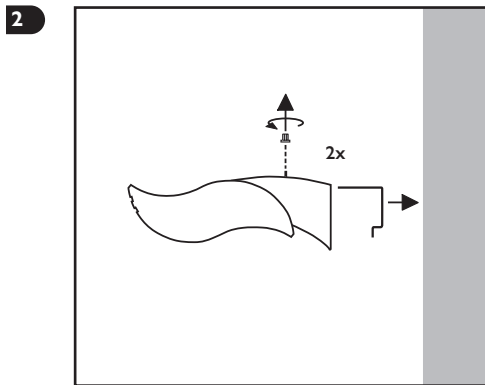
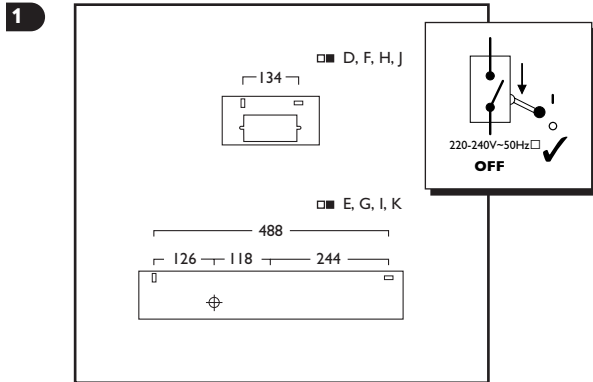
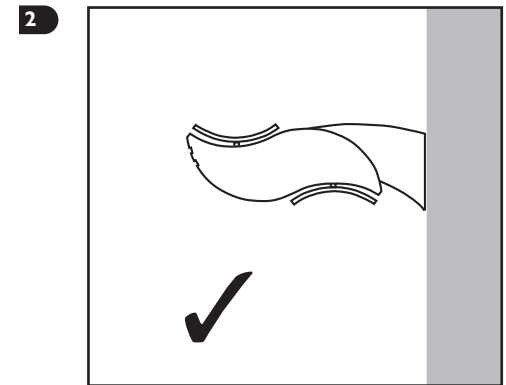
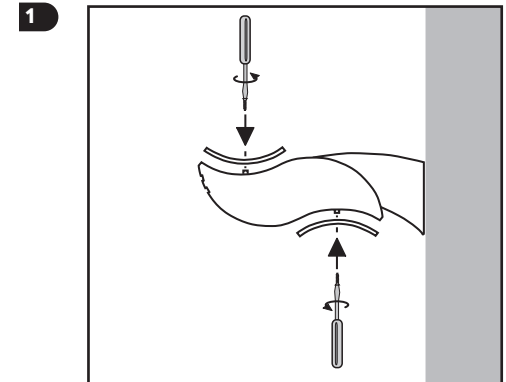


## Wall Mounting



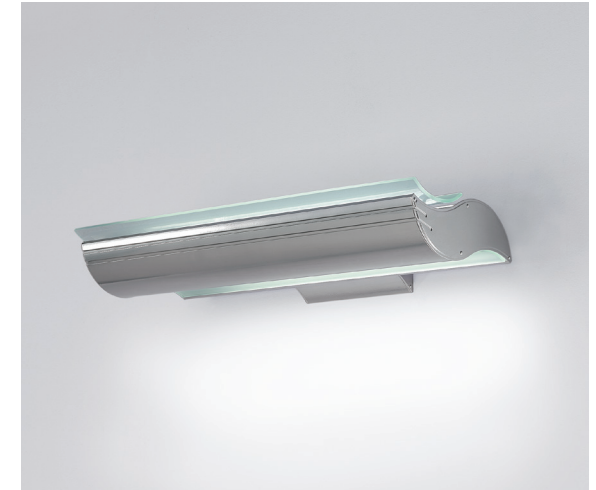
## Glass Fixture



## IMPORTANT INFORMATION

### **Breeze** Wall Light

WL632/WL633



**Disconnect electricity supply before installation.**

To be installed by qualified personnel only, in accordance with current building and wiring regulations

When installing, we recommend wearing disposable gloves to avoid fingerprinting to the paint work of the luminaire.

Read leaflet fully before installation.

**Hacel**<sup>®</sup>  
Fluent in Lighting

THE SILVERLINK, WALLSEND, NEWCASTLE UPON TYNE,  
TYNE & WEAR, NE28 9ND

Technical: (0191) 280 9914  
Email: [technical@hacel.co.uk](mailto:technical@hacel.co.uk)  
Web: [www.hacel.co.uk](http://www.hacel.co.uk)

01/2025