

## Azuma® Midi

LED CRI 80

Power	LED	Part No.	LED	Beam	Temp	Dim	Control	Price
12W	LED	IS477	LED	12	—	+	447	
19W	LED	IS477	LED	19	—	+	447	
25W	LED	IS477	LED	25	—	+	447	

Single Circuit Track

Power	LED	Part No.	LED	Beam	Temp	Dim	Control	Price
12W	LED	TS477	LED	12	—	+	447	
19W	LED	TS477	LED	19	—	+	447	
25W	LED	TS477	LED	25	—	+	447	

Three Circuit Track

Power	LED	Part No.	LED	Beam	Temp	Dim	Control	Price
12W	LED	TT477	LED	12	—	+	447	
19W	LED	TT477	LED	19	—	+	447	
25W	LED	TT477	LED	25	—	+	447	

DALI Track

Power	LED	Part No.	LED	Beam	Temp	Dim	Control	Price
12W	LED	TD477	LED	12	—	+	447	
19W	LED	TD477	LED	19	—	+	447	
25W	LED	TD477	LED	25	—	+	447	

LED CRI 90

Power	LED	Part No.	LED	Beam	Temp	Dim	Control	Price
12W	LED	IS478	LED	12	—	+	448	
19W	LED	IS478	LED	19	—	+	448	
25W	LED	IS478	LED	25	—	+	448	

Single Circuit Track

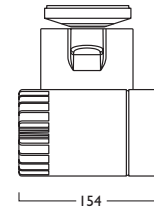
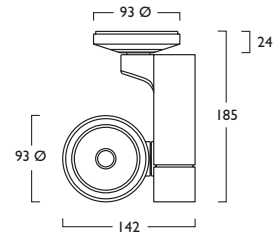
Power	LED	Part No.	LED	Beam	Temp	Dim	Control	Price
12W	LED	TS478	LED	12	—	+	448	
19W	LED	TS478	LED	19	—	+	448	
25W	LED	TS478	LED	25	—	+	448	

Three Circuit Track

Power	LED	Part No.	LED	Beam	Temp	Dim	Control	Price
12W	LED	TT478	LED	12	—	+	448	
19W	LED	TT478	LED	19	—	+	448	
25W	LED	TT478	LED	25	—	+	448	

DALI Track

Power	LED	Part No.	LED	Beam	Temp	Dim	Control	Price
12W	LED	TD478	LED	12	—	+	448	
19W	LED	TD478	LED	19	—	+	448	
25W	LED	TD478	LED	25	—	+	448	



- Available in a choice of lumen outputs, delivering up to 4705 lumens
- Efficacies up to 156 lm/W
- Single point Zhaga Book 3 LED
- Medium beam reflector as standard
- Life expectancy in excess of 60,000 hours (L90 B10)
- Colour stability within 3 MacAdams
- Protective glass fitted as standard
- Complementary Wall Lights available
- Dimmable Three Circuit Track versions use Three Phase adaptors permitting only single circuit control. The Track requires the relevant dimming wiring.
- DALI Track versions are eminently suited to diverse, adaptable lighting scenarios. The Track requires the relevant dimming wiring.
- Wireless Lighting Control available, see Connected video for full overview

- A** Integral Driver/Remote
- J** Switch Dim - Not available in Single Circuit Track
- S** DALI Dim - Not available in Single Circuit Track
- L** DALI Bluetooth

**3** Warm (3000K) **4** Neutral (4000K)

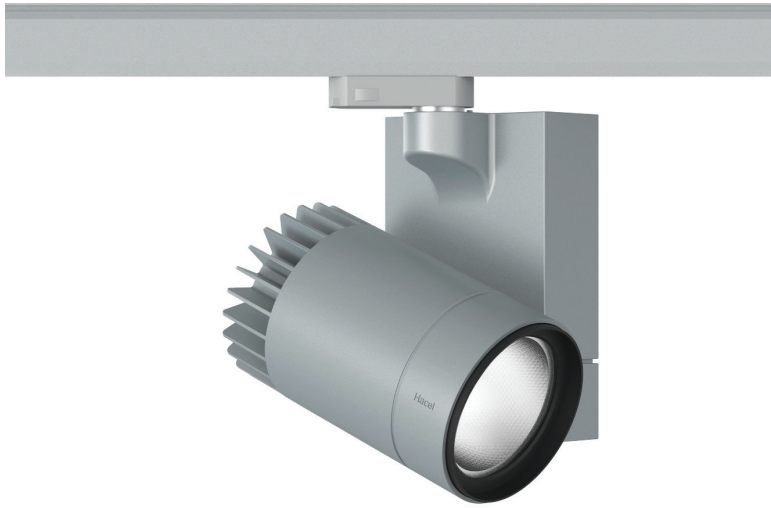
**1** White (RAL 9010) **2** Urban Graphite (RAL 7046) **3** Black (RAL 9005)

Reflector	CRI 80	CRI 90
537 Narrow Beam	449	450
538 Wide Beam	451	452

Baffle Option - Examples Shown on page 2

Tel: (0191) 280 9911 Email: technical@hacel.co.uk Web: www.hacel.co.uk V4 - 08/2024

\* All values provided in this document are subject to International standards and electronic components from leading suppliers which are subject to +/- 10% tolerance and apply at an ambient temperature of 25°C. Hacel Lighting look to constantly improve it's product and reserve the right to change specifications without prior notification.



## Azuma® Midi

	CRI 80			CRI 90		
	12W	19W	25W	12W	19W	25W
<b>3 Warm White LED (3000K)</b>						
Lumen Output	2325 lm	3434 lm	4502 lm	1879 lm	2774 lm	3645 lm
LOR	0.92	0.92	0.92	0.92	0.92	0.92
CRI	80	80	80	90	90	90
Total Power	14.4W	21.1W	28.1W	14.4W	21.1W	28.1W
Power Factor	0.95	0.97	0.97	0.95	0.97	0.97
Running Current	0.06A	0.09A	0.13A	0.06A	0.09A	0.13A
Inrush Current (Std)	3.5A (35us)	18A (210us)	24A (200us)	3.5A (35us)	18A (210us)	24A (200us)
Inrush Current (Dim)	2.71A (38us)	3.31A (43us)	5.33A (42us)	2.71A (38us)	3.31A (43us)	5.33A (42us)
Efficacy	148 lm/W	149 lm/W	147 lm/W	120 lm/W	120 lm/W	119 lm/W
Emergency Output (BLF)	N/A	N/A	N/A	N/A	N/A	N/A
<b>4 Neutral White LED (4000K)</b>						
Lumen Output	2439 lm	3594 lm	4705 lm	2045 lm	3013 lm	3946 lm
LOR	0.92	0.92	0.92	0.92	0.92	0.92
CRI	80	80	80	90	90	90
Total Power	14.4W	21.1W	28.1W	14.4W	21.1W	28.1W
Power Factor	0.95	0.97	0.97	0.95	0.97	0.97
Running Current	0.06A	0.09A	0.13A	0.06A	0.09A	0.13A
Inrush Current (Std)	3.5A (35us)	18A (210us)	24A (200us)	3.5A (35us)	18A (210us)	24A (200us)
Inrush Current (Dim)	2.71A (38us)	3.31A (43us)	5.33A (42us)	2.71A (38us)	3.31A (43us)	5.33A (42us)
Efficacy	155 lm/W	156 lm/W	154 lm/W	130 lm/W	131 lm/W	129 lm/W
Emergency Output (BLF)	N/A	N/A	N/A	N/A	N/A	N/A

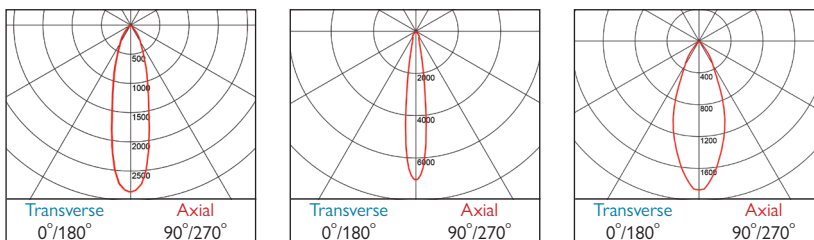
### Options

■ **Baffle Option**



539 Anti Glare Baffle

### Photometrics



447-448 DLOR: 0.92

449-450 DLOR: 0.92

451-452 DLOR: 0.90