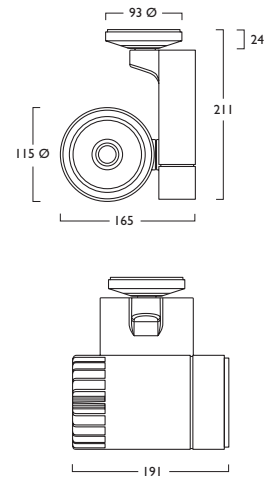


Azuma® Maxi

LED CRI 80										
Surface										
30W	LED	IS473	LED	30	+	453				
37W	LED	IS473	LED	37	+	453				
Single Circuit Track										
30W	LED	TS473	LED	30	+	453				
37W	LED	TS473	LED	37	+	453				
Three Circuit Track										
30W	LED	TT473	LED	30	+	453				
37W	LED	TT473	LED	37	+	453				
DALI Track										
30W	LED	TD473	LED	30	+	453				
37W	LED	TD473	LED	37	+	453				

LED CRI 90										
Surface										
30W	LED	IS474	LED	30	+	454				
37W	LED	IS474	LED	37	+	454				
Single Circuit Track										
30W	LED	TS474	LED	30	+	454				
37W	LED	TS474	LED	37	+	454				
Three Circuit Track										
30W	LED	TT474	LED	30	+	454				
37W	LED	TT474	LED	37	+	454				
DALI Track										
30W	LED	TD474	LED	30	+	454				
37W	LED	TD474	LED	37	+	454				



- Available in a choice of lumen outputs, delivering up to 6840 lumens
- Efficacies up to 138 lm/W
- Single point Zhaga Book 3 LED
- Medium beam reflector as standard
- Life expectancy in excess of 57,000 hours (L90 B10)
- Colour stability within 3 MacAdams
- Protective glass fitted as standard
- Complementary Wall Lights available
- Track versions not suitable for wall mounting
- Dimmable Three Circuit Track versions use Three Phase adaptors permitting only single circuit control. The Track requires the relevant dimming wiring.
- DALI Track versions are eminently suited to diverse, adaptable lighting scenarios. The Track requires the relevant dimming wiring.
- Wireless Lighting Control available, see Connected video for full overview

230V 50Hz IP 20 180° 340° 50mm 3.0 kg



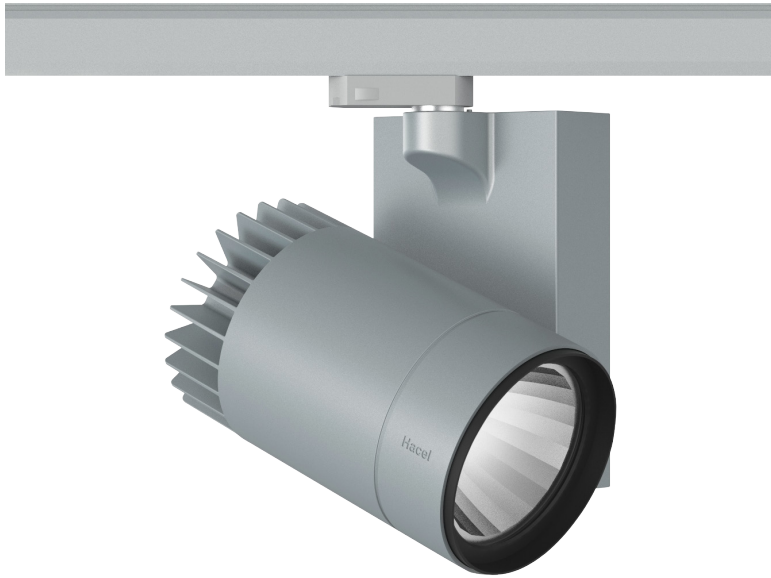
- A Integral Driver/Remote
- J Switch Dim - Not available in Single Circuit Track
- S DALI Dim - Not available in Single Circuit Track
- L DALI Bluetooth
- 3 Warm (3000K) 4 Neutral (4000K)
- 1 White (RAL 9010) 2 Urban Graphite (RAL 7046) 3 Black (RAL 9005)

Reflector	CRI 80	CRI 90
384 Narrow Beam	455	456
385 Wide Beam	457	458

Baffle Option - Examples Shown on page 2

Tel: (0191) 280 9911 Email: technical@hacel.co.uk Web: www.hacel.co.uk V4 - 08/2024

* All values provided in this document are subject to International standards and electronic components from leading suppliers which are subject to +/- 10% tolerance and apply at an ambient temperature of 25°C. Hacel Lighting look to constantly improve it's product and reserve the right to change specifications without prior notification.



Azuma[®] Maxi

3	Warm White LED (3000K)	CRI 80		CRI 90	
		30W	37W	30W	37W
	Lumen Output	5479 lm	6549 lm	4432 lm	5324 lm
	LOR	0.81	0.81	0.81	0.81
	CRI	80	80	90	90
	Total Power	33.4W	40.9W	33.4W	40.9W
	Power Factor	0.97	0.95	0.97	0.95
	Running Current	0.15A	0.19A	0.15A	0.19A
	Inrush Current (Std)	30A (200us)	24.7A (268us)	30A (200us)	24.7A (268us)
	Inrush Current (Dim)	5.33A (42us)	28A (165us)	5.33A (42us)	28A (165us)
	Efficacy	132 lm/W	129 lm/W	107 lm/W	105 lm/W
	Emergency Output (BLF)	N/A	N/A	N/A	N/A

4	Neutral White LED (4000K)	CRI 80		CRI 90	
		30W	37W	30W	37W
	Lumen Output	5727 lm	6840 lm	4831 lm	5773 lm
	LOR	0.81	0.81	0.81	0.81
	CRI	80	80	90	90
	Total Power	33.4W	40.9W	33.4W	40.9W
	Power Factor	0.97	0.95	0.97	0.95
	Running Current	0.15A	0.19A	0.15A	0.19A
	Inrush Current (Std)	30A (200us)	24.7A (268us)	30A (200us)	24.7A (268us)
	Inrush Current (Dim)	5.33A (42us)	28A (165us)	5.33A (42us)	28A (165us)
	Efficacy	138 lm/W	135 lm/W	117 lm/W	114 lm/W
	Emergency Output (BLF)	N/A	N/A	N/A	N/A

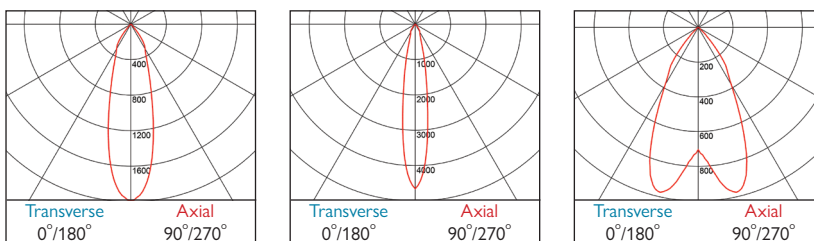
Options

■ **Baffle** Option



540 Anti Glare Baffle

Photometrics



453-454 DLOR: 0.81

455-456 DLOR: 0.83

457-458 DLOR: 0.86

Tel: (0191) 280 9911 Email: technical@hacel.co.uk Web: www.hacel.co.uk V4 - 08/2024

* All values provided in this document are subject to International standards and electronic components from leading suppliers which are subject to +/- 10% tolerance and apply at an ambient temperature of 25°C. Hacel Lighting look to constantly improve it's product and reserve the right to change specifications without prior notification.

