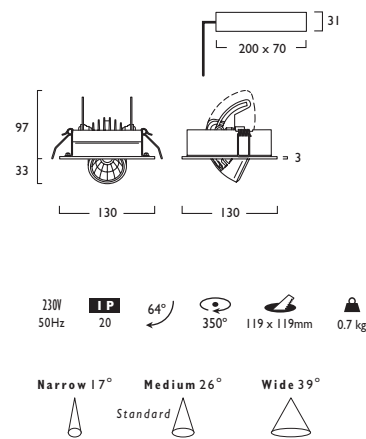




3	Warm White LED (3000K)	CRI 80		CRI 90	
		7W	12W	7W	12W
	Lumen Output	1164 lm	1996 lm	904 lm	1559 lm
	LOR	0.88	0.88	0.88	0.88
	CRI	80	80	90	90
	Total Power	7.7W	12.4W	7.7W	12.4W
	Power Factor	0.89	0.94	0.89	0.94
	Running Current	0.04A	0.06A	0.04A	0.06A
	Inrush Current (Std)	3.0A (60us)	3.5A (35us)	3.0A (60us)	3.5A (35us)
	Inrush Current (Dim)	10.0A (80us)	10.0A (80us)	10.0A (80us)	10.0A (80us)
	Efficacy	133 lm/W	141 lm/W	103 lm/W	110 lm/W
	Emergency Output (BLF)	N/A	N/A	N/A	N/A

4	Neutral White LED (4000K)	CRI 80		CRI 90	
		7W	12W	7W	12W
	Lumen Output	1212 lm	2071 lm	1038 lm	1773 lm
	LOR	0.88	0.88	0.88	0.88
	CRI	80	80	90	90
	Total Power	7.7W	12.4W	7.7W	12.4W
	Power Factor	0.89	0.94	0.89	0.94
	Running Current	0.04A	0.06A	0.04A	0.06A
	Inrush Current (Std)	3.0A (60us)	3.5A (35us)	3.0A (60us)	3.5A (35us)
	Inrush Current (Dim)	10.0A (80us)	10.0A (80us)	10.0A (80us)	10.0A (80us)
	Efficacy	138 lm/W	146 lm/W	118 lm/W	125 lm/W
	Emergency Output (BLF)	N/A	N/A	N/A	N/A



Aleda® Micro Ported Solo



LED CRI 80

7W	LED	Solo	AX475	LED	07	+	436
12W	LED	Solo	AX475	LED	12	+	436

LED CRI 90

7W	LED	Solo	AX476	LED	07	+	439
12W	LED	Solo	AX476	LED	12	+	439

- Commercial quality, smooth and precise pan and tilt adjustment
- Choice of lumen outputs, delivering up to 2071 lumens per Aleda® Micro head
- Single point Zhaga Book 3 LED, efficacies up to of 146 lm/W
- CRI 80 and CRI 90 versions available, colour stability within 3 MacAdams
- Medium beam reflector as standard
- Life expectancy in excess of 59,000 hours (L90 B10)
- White, Black, Urban Graphite Bezel colour options.
- Inner recess and Aleda® Micro luminaire(s) finished in Black (colour options available on request)
- Wireless Lighting Control available, see Connected video for full overview

Gear type F must be operated through a DSI

- A** Integral Driver/Remote
- F** Digital Dim
- J** Switch Dim
- S** DALI Dim
- L** DALI Bluetooth

3 Warm (3000K) 4 Neutral (4000K)

1 White (RAL 9010) 2 Urban Graphite (RAL 7046) 3 Black (RAL 9005)

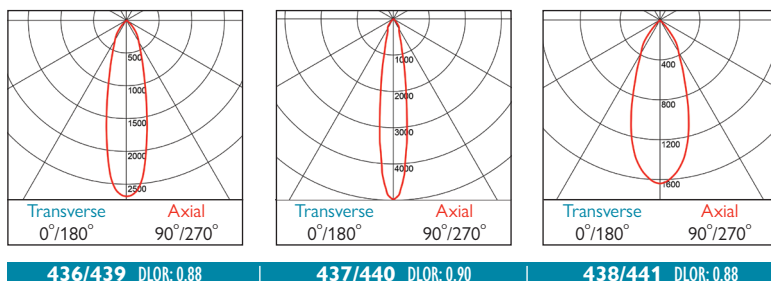
Reflector		CRI 80		CRI 90	
		07	12	07	12
531	1x Narrow Beam	437	440		
532	1x Wide Beam	438	441		

* All values provided in this document are subject to International standards and electronic components from leading suppliers which are subject to +/- 10% tolerance and apply at an ambient temperature of 25°C. Hacer Lighting look to constantly improve it's product and reserve the right to change specifications without prior notification.



Aleda[®] Micro Ported Solo

Photometrics



Tel: (0191) 280 9911 | Email: technical@hacel.co.uk | Web: www.hacel.co.uk

* All values provided in this document are subject to International standards and electronic components from leading suppliers which are subject to +/- 10% tolerance and apply at an ambient temperature of 25°C. Hacer Lighting look to constantly improve it's product and reserve the right to change specifications without prior notification.