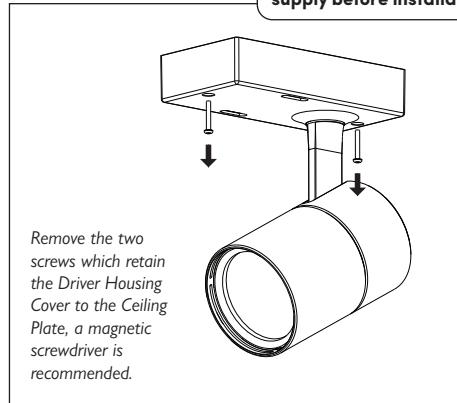


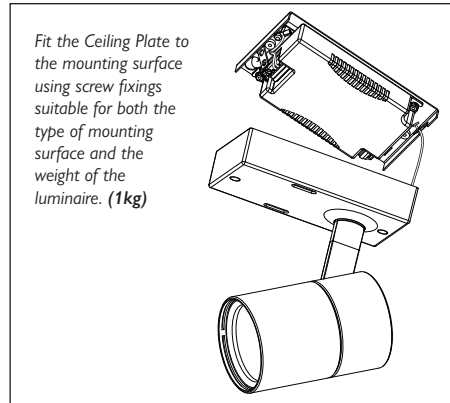
Installation Surface Version

Disconnect electricity supply before installation

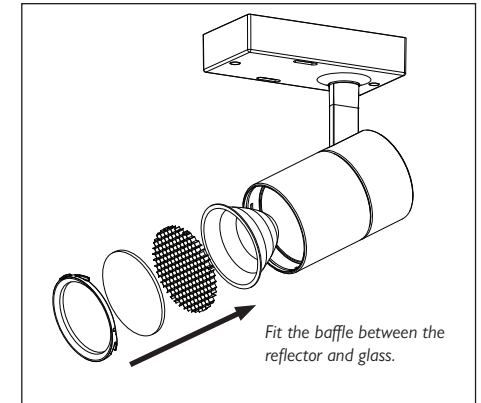
1



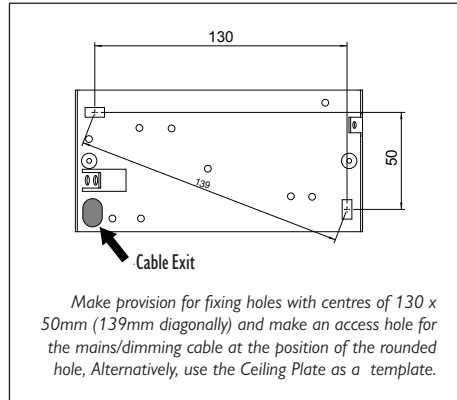
4



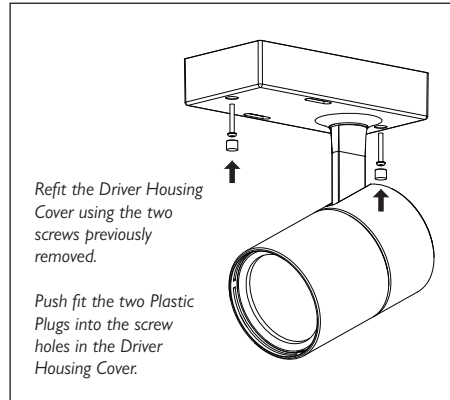
2



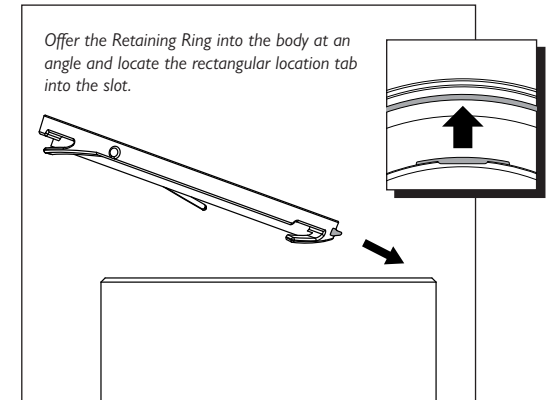
2



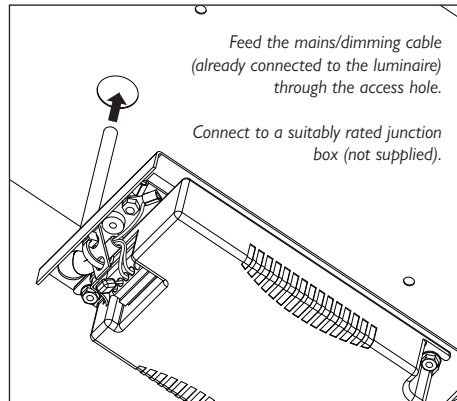
5



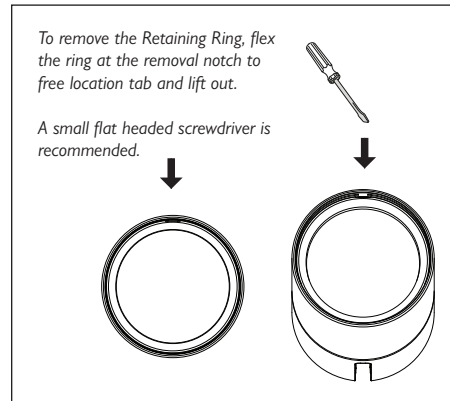
3



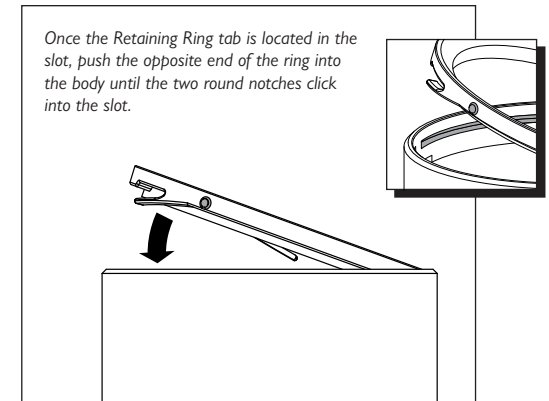
3



1



4



IMPORTANT INFORMATION

Encore[®]

IS1664/IS1665



Disconnect electricity supply before installation

To be installed by qualified personnel only, in accordance with current building and wiring regulations.

When installing, we recommend wearing disposable gloves to avoid fingerprinting to the paint work of the luminaire.

Read leaflet fully before installation.

Due to the weight of luminaires, ensure suitable fixings are used when installing.

Hacel[®]
Fluent in Lighting

THE SILVERLINK, WALLSEND, NEWCASTLE UPON TYNE,
TYNE & WEAR, NE28 9ND

Technical: **(0191) 280 9914**

Email: **technical@hacel.co.uk**

Web: **www.hacel.co.uk**

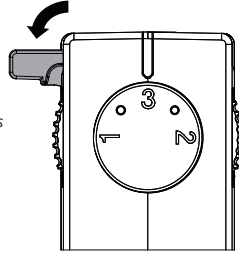
05/2024

Installation Track Version

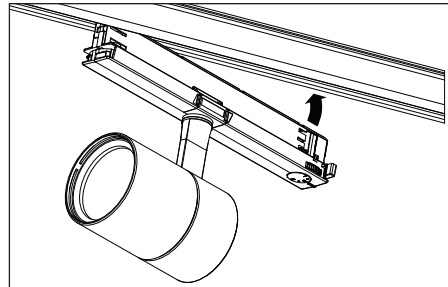
1

Turn the lever at one end of the Track Adapter so that the electrical connections are withdrawn into the Track Adapter.

For DALI Track Adapters there are levers at both ends of the Adapter and both should be turned so that all electrical connections are withdrawn into the Track Adapter

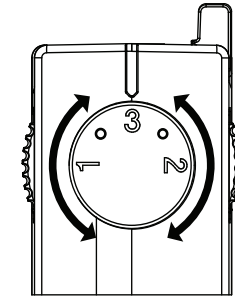


4



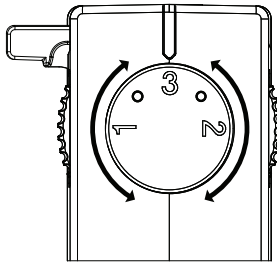
Offer the luminaire up to the track at a slight angle so that the lever and dial are slightly lower than the opposite end of the Track Adapter.

7



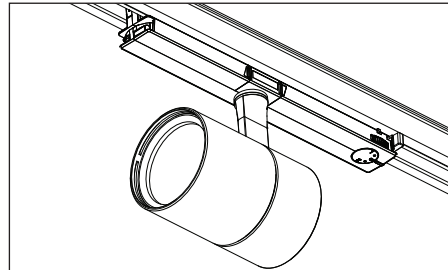
If the circuit selector dial was set at 0, rotate it to select 1, 2 or 3 depending on the circuit required for that luminaire.

2



Rotate the dial to select 0 (off), 1, 2 or 3 depending on the circuit required for that luminaire, by aligning the number with the raised mark.

5



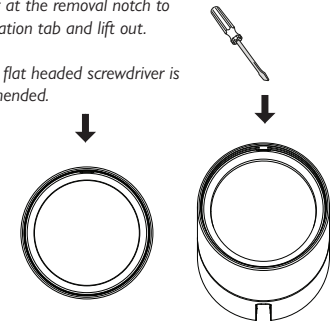
Insert the luminaire into the track ensuring that the Track Adapter is properly located. (luminaire weight 0.8kg)

Option 539 Light Baffle Installation

1

To remove the Retaining Ring, flex the ring at the removal notch to free location tab and lift out.

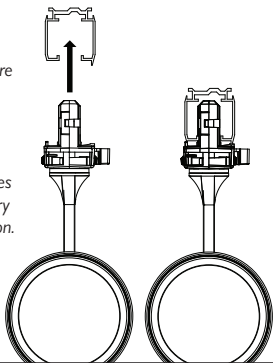
A small flat headed screwdriver is recommended.



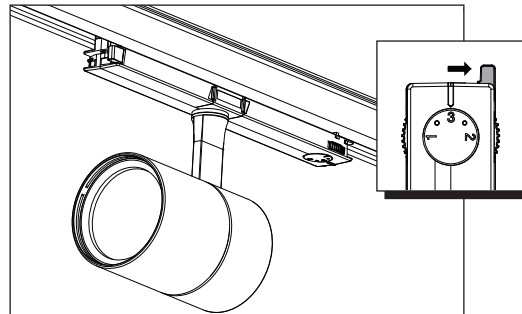
3

The Track Adapter will only fit into the track in one orientation to ensure correct polarity.

Do not force the Track Adapter into the track, if it proves difficult to insert, try the other orientation.

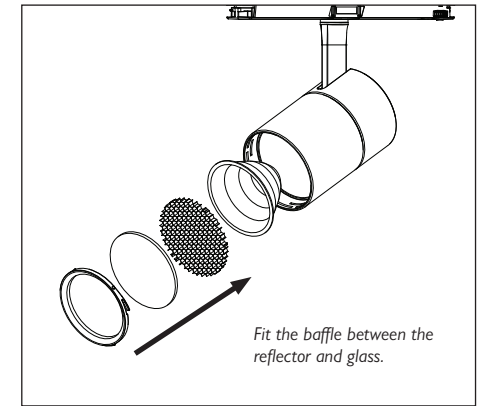


6



Turn lever(s) back to engage the electrical connections.

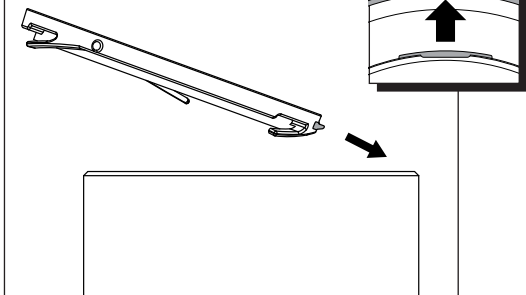
2



Fit the baffle between the reflector and glass.

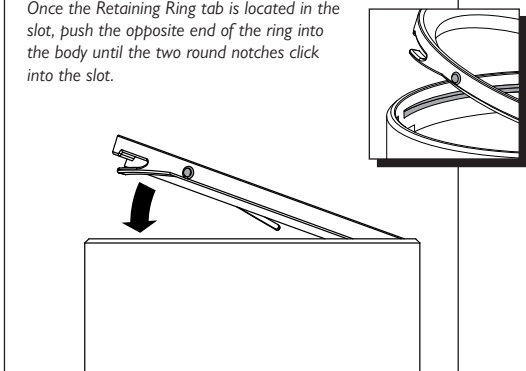
3

Offer the Retaining Ring into the body at an angle and locate the rectangular location tab into the slot.



4

Once the Retaining Ring tab is located in the slot, push the opposite end of the ring into the body until the two round notches click into the slot.



IMPORTANT INFORMATION

Encore®

TT1664/TT1665
TD1664/TD1665



Disconnect electricity supply before installation

To be installed by qualified personnel only, in accordance with current building and wiring regulations

When installing, we recommend wearing disposable gloves to avoid fingerprinting to the paint work of the luminaire.

Read leaflet fully before installation.

Hacel®

Fluent in Lighting

THE SILVERLINK, WALLSEND, NEWCASTLE UPON TYNE,
TYNE & WEAR, NE28 9ND

Technical: (0191) 280 9914
Email: technical@hacel.co.uk
Web: www.hacel.co.uk

05/2024